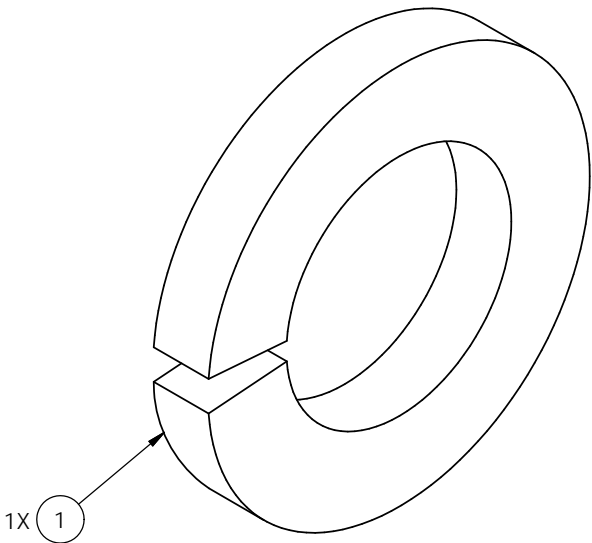



ITEM NO.	PART NUMBER	DESCRIPTION	QTY.
1	H3002KT12G	Lock washer, 1/2" HDG	1

**KENWOOD
TELECOM**

3471 New's Pointe, Acworth, GA 30201
(800) 399-0900 (770) 974-7000 fax

PROPRIETARY AND CONFIDENTIAL
THE INFORMATION CONTAINED IN THIS DRAWING IS THE SOLE PROPERTY OF KENWOOD TELECOM. ANY REPRODUCTION IN PART OR AS A WHOLE WITHOUT THE WRITTEN PERMISSION OF KENWOOD TELECOM IS PROHIBITED.

UNLESS OTHERWISE SPECIFIED:	
DIMENSIONS ARE IN INCHES	
TOLERANCES:	
FRACTIONAL: ± 1/32	
ANGULAR: ± 2°	
ONE PLACE DECIMAL: ± .06	
TWO PLACE DECIMAL: ± .03	
THREE PLACE DECIMAL: ± .010	
INTERPRET GEOMETRIC TOLERANCING PER:	
MATERIAL:	
FINISH:	
NEXT ASSY	USED ON
APPLICATION	
DO NOT SCALE DRAWING	

NAME	DATE
DRAWN PQ	11/11/14
CHECKED	
ENG APPR.	
MFG APPR.	
Q.A.	
COMMENTS:	

KENWOOD TELECOM

TITLE:
**Washer, 1/2",
Lock, HDG**

SIZE B	DWG. NO. H3002KT12G	REV
SCALE: 5:1		WEIGHT:
SHEET 1 OF 1		