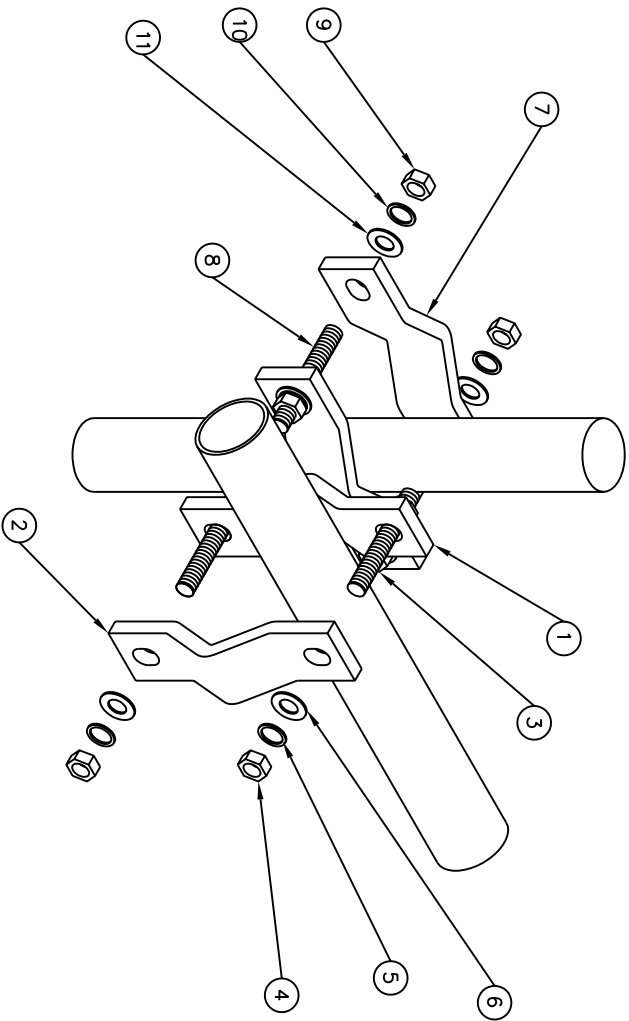


P/N	K10004KT
TITLE	CROSSOVER CLAMP KIT

QTY	ITEM	PART NUMBER	DESCRIPTION
-	-	K1004KT4	CROSSOVER CLAMP KIT, 2-3/8" - 5" PIPE TO 4" - 9" PIPE
1	1	K1010KT4	CROSSOVER CLAMP
1	2	K1000KT8-534	CLAMP HALF
2	3	K2120KT10I	THREADED ROD, 5/8" X 10"
8	4	H2002KT58G	5/8" NUT
8	5	H3002KT58G	5/8" LOCK WASHER
8	6	H3012KT58G	5/8" FLAT WASHER
1	7	K1000KT12	HALF CLAMP
2	8	K2220KT14I	THREADED ROD, 5/8" X 14"

QTY	ITEM	PART NUMBER	DESCRIPTION
-	-	K1004KT5	CROSSOVER CLAMP KIT, 2-3/8" - 5" PIPE TO 2-3/8" - 5" PIPE
1	1	K1010KT5	CROSSOVER CLAMP
2	2	K1000KT8-534	CLAMP HALF
4	3	K2120KT10I	THREADED ROD, 5/8" X 10"
8	4	H2002KT58G	5/8" NUT
8	5	H3002KT58G	5/8" LOCK WASHER
8	6	H3012KT58G	5/8" FLAT WASHER



QTY	ITEM	PART NUMBER	DESCRIPTION
-	-	K1004KT1	CROSSOVER CLAMP KIT, 1-1/2" - 3-1/2" PIPE TO 1-1/2" - 3-1/2" PIPE
1	1	K1010KT1	CROSSOVER CLAMP
2	2	K1000KT6	CLAMP HALF
4	3	K2120KT6I	THREADED ROD, 1/2" X 6"
8	4	H2002KT12G	1/2" NUT
8	5	H3002KT12G	1/2" LOCK WASHER
8	6	H3012KT12G	1/2" FLAT WASHER

QTY	ITEM	PART NUMBER	DESCRIPTION
-	-	K1004KT2	CROSSOVER CLAMP KIT, 1-1/2" - 3-1/2" PIPE TO 2-3/8" - 5" PIPE
1	1	K1010KT2	CROSSOVER CLAMP
1	2	K1000KT6	CLAMP HALF
2	3	K2120KT6I	THREADED ROD, 1/2" X 6"
4	4	H2002KT12G	1/2" NUT
4	5	H3002KT12G	1/2" LOCK WASHER
4	6	H3012KT12G	1/2" FLAT WASHER
1	7	K1000KT8-534	CLAMP HALF
2	8	K2120KT10I	THREADED ROD, 5/8" X 10"
4	9	H2002KT58G	5/8" NUT
4	10	H3002KT58G	5/8" LOCK WASHER
4	11	H3012KT58G	5/8" FLAT WASHER

QTY	ITEM	PART NUMBER	DESCRIPTION
-	-	K1004KT3	CROSSOVER CLAMP KIT, 1-1/2" - 3-1/2" PIPE TO 4" - 9" PIPE
1	1	K1010KT3	CROSSOVER CLAMP
1	2	K1000KT6	CLAMP HALF
2	3	K2120KT6I	THREADED ROD, 1/2" X 6"
4	4	H2002KT12G	1/2" NUT
4	5	H3002KT12G	1/2" LOCK WASHER
4	6	H3012KT12G	1/2" FLAT WASHER
1	7	K1000KT12	CLAMP HALF
2	8	K2120KT14I	THREADED ROD, 5/8" X 14"
4	9	H2002KT58G	5/8" NUT
4	10	H3002KT58G	5/8" LOCK WASHER
4	11	H3012KT58G	5/8" FLAT WASHER



3431 Norris Point Acworth, GA 30101
(888) 439-0500 (770) 974-5100 fax

DRAWN	DATE	CHECKED	DATE
KA A	1/18/03		

CROSSOVER CLAMP KIT

DRAWING NO K1004KT

REV SHEET 1 OF 1