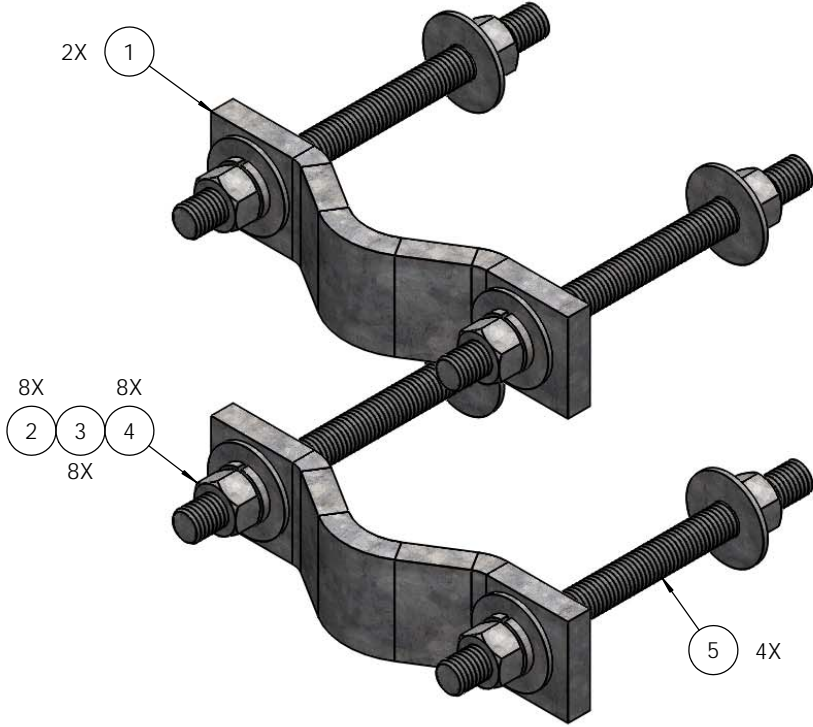
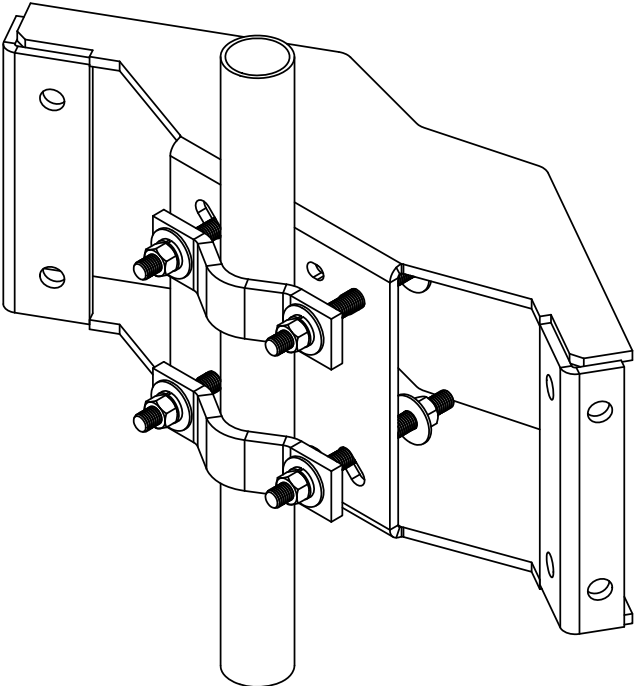


8 7 6 5 4 3 2 1

ITEM NO.	PART NUMBER	DESCRIPTION	QTY.
1	K1000KT8-534	Half Clamp, Medium 5-3/4" Center	2
2	H3012KT58GSA3	Flat washer, 5/8", SAE (A325), HDG	8
3	H3002KT58G	Lock washer, 5/8", HDG	8
4	H2002KT58GA3	Nut, hex heavy 5/8" HDG A325	8
5	K2220KT8i	Threaded rod 5/8" x 8", HDG	4

D
C
B
A



D
C
B
A

8 7 6 5 4 3 2 1



**KENWOOD
TELECOM**
3431 Novis Pointe Acworth, Ga 30101
(770) 975-0500 office, (770) 974-5100 fax

UNLESS OTHERWISE SPECIFIED:
DIMENSIONS ARE IN INCHES
TOLERANCES:
FRACTIONAL: ± 1/32
ANGULAR: ± 2°
ONE PLACE DECIMAL: ± .06
TWO PLACE DECIMAL: ± .03
THREE PLACE DECIMAL: ± .010
INTERPRET GEOMETRIC TOLERANCING PER:
MATERIAL:
FINISH:
DO NOT SCALE DRAWING

NAME	DATE
DRAWN	PO
CHECKED	
ENG APPR.	
MFG APPR.	

PROPRIETARY AND CONFIDENTIAL
THE INFORMATION CONTAINED IN THIS DRAWING IS THE SOLE PROPERTY OF KENWOOD TELECOM. ANY REPRODUCTION IN PART OR AS A WHOLE WITHOUT THE WRITTEN PERMISSION OF KENWOOD TELECOM IS PROHIBITED.

TITLE: Pipe Mount Kit for Ring Mount, 1-1/2"-5-1/2" OD Pipe		
SIZE B	DWG. NO. T1004KT	REV
SCALE: 1:3 FINISHED WEIGHT: 7.78		SHEET 1 OF 1