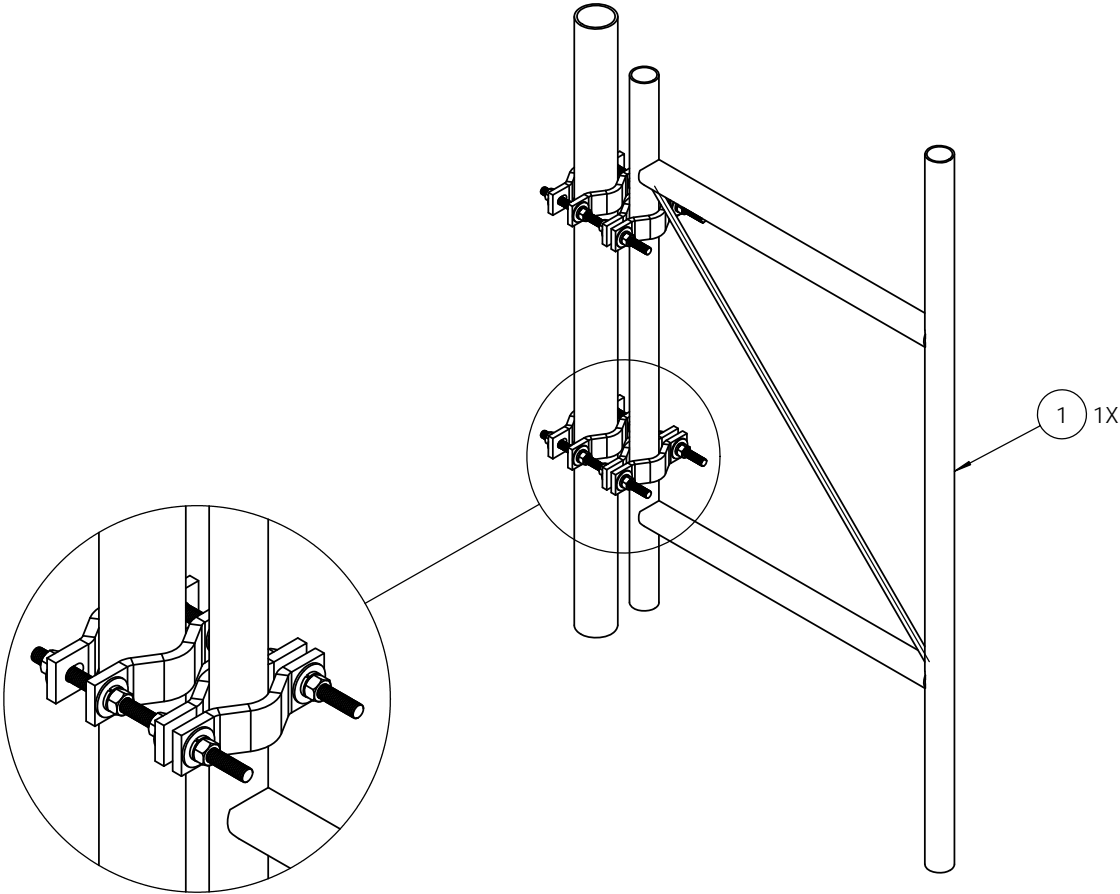



ITEM NO.	PART NUMBER	DESCRIPTION	QTY.
1	T1309MT36	Panel Antenna Stand-off Bracket, 36"	1



DETAIL B  
SCALE 1 : 5

**Note:**  
Hardware Sold Separately

 <b>KENWOOD TELECOM</b> <small>3471 Newis Park Ave., Acworth, GA 30001 (800) 399-0900 (770) 974-7000 fax</small>			UNLESS OTHERWISE SPECIFIED:		NAME	DATE	<b>KENWOOD TELECOM</b> <b>TITLE: Panel Antenna Stand-Off Bracket 36"</b>	
			DIMENSIONS ARE IN INCHES	DRAWN	PQ	10/21/14		SIZE
			TOLERANCES:	CHECKED				DWG. NO.
			FRACTIONAL: $\pm 1/32$	ENG APPR.				REV
		ANGULAR: $\pm 2^\circ$	MFG APPR.					
		ONE PLACE DECIMAL: $\pm .06$	Q.A.					
		TWO PLACE DECIMAL: $\pm .03$	COMMENTS:					
		THREE PLACE DECIMAL: $\pm .010$						
		INTERPRET GEOMETRIC TOLERANCING PER:						
		MATERIAL:						
		FINISH:						
NEXT ASSY	USED ON							
		APPLICATION	DO NOT SCALE DRAWING					

SCALE: 1:10 WEIGHT: SHEET 1 OF 1