

Steel and Mounts



Accessories



Grounding



Safety

T1310MT1-6

36" Heavy Duty Stand-off Bracket Fits up to 5-3/4" OD Leg

General Specifications

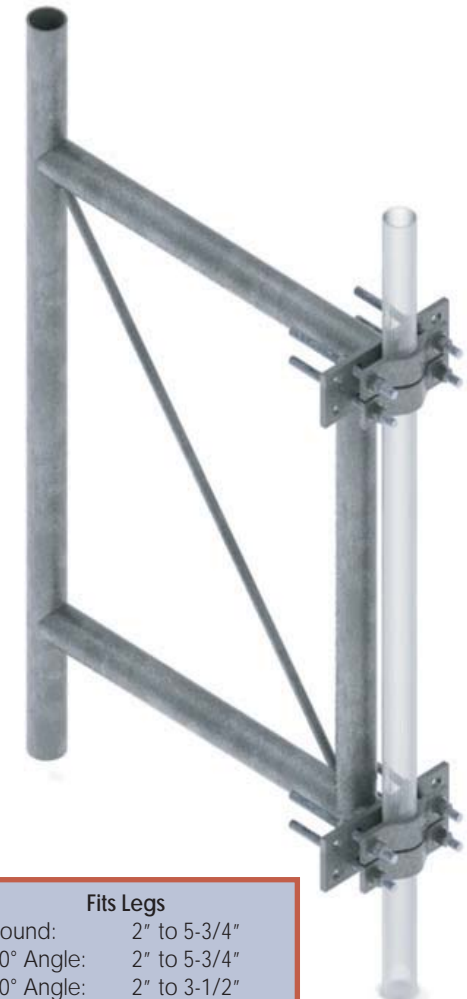
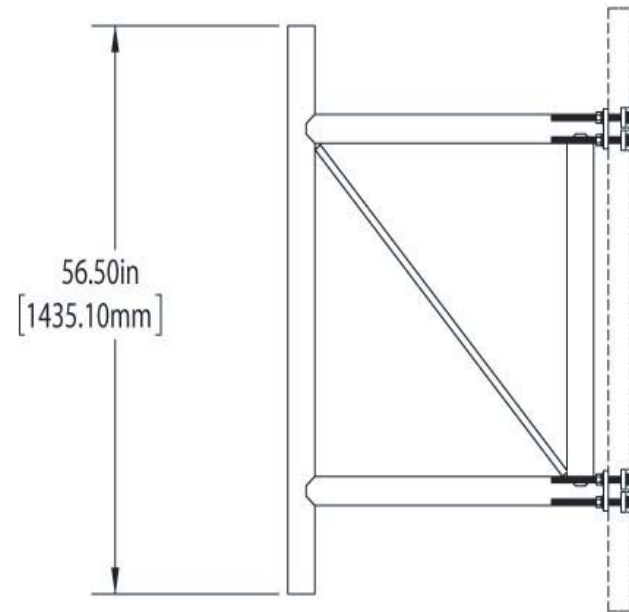
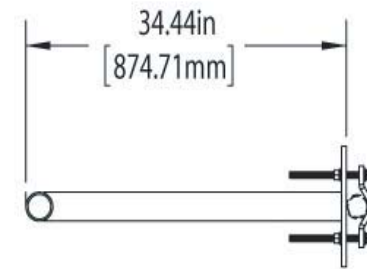
Product Type	Stand-off Clamp Set
Tower Taper	Non-tapered
Material Type	Hot dip galvanized steel
Mounting	Tower Mount
Package Quantity	1
Weight	108.31 lb 49.13 kg

Products Specifications

Material:	HDG A123 Steel
Unit:	Sold as complete Kit

Packaging / Shipping Specs

Length	38.00 in		965.1 mm
Width	60.00 in		1523.9 mm
Height	56.50 in		1435.07 mm
Aprox. Weight	135.0 lb		61.2 kg



Fits Legs

Round:	2" to 5-3/4"
60° Angle:	2" to 5-3/4"
90° Angle:	2" to 3-1/2"