

8 7 6 5 4 3 2 1

D

C

B

A

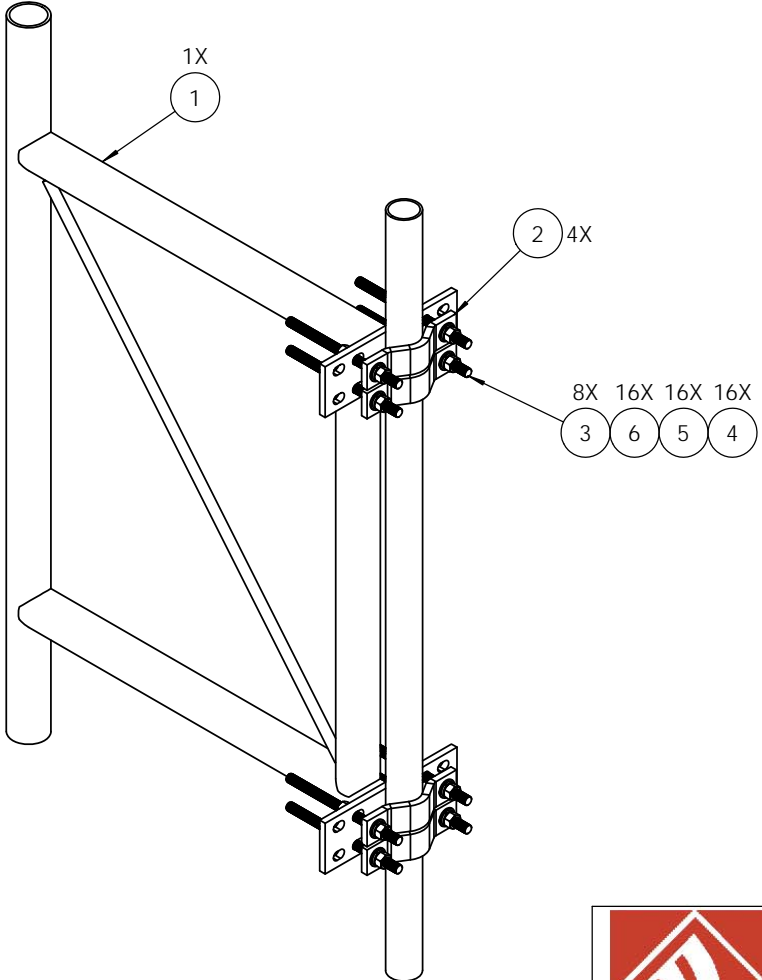
D



C

B

A

ITEM NO.	PART NUMBER	DESCRIPTION	QTY.
1	T1310MT	Pipe frame stand-off brkt, 36"	1
2	K1000KT8-534	Half Clamp, Medium 5-3/4" Center	4
3	K2220KT10i	Threaded rod 5/8" x 10", HDG	8
4	H3012KT58GSA3	Flat washer, 5/8", SAE (A325), HDG	16
5	H3002KT58G	Lock washer, 5/8", HDG	16
6	H2002KT58GA3	Nut, 5/8"HH, HDG (A325)	16



 <b>KENWOOD TELECOM</b> <small>3431 Novis Pointe Acworth, Ga 30101 (770) 975-0500 office, (770) 974-5100 fax</small>	UNLESS OTHERWISE SPECIFIED: DIMENSIONS ARE IN INCHES TOLERANCES: FRACTIONAL: ± 1/32 ANGULAR: ± 2° ONE PLACE DECIMAL: ± .06 TWO PLACE DECIMAL: ± .03 THREE PLACE DECIMAL: ± .010		NAME: KAR DATE: 10/5/16		 <b>KENWOOD TELECOM</b> TITLE: <b>Heavy Duty Stand off brackets - up to 5-3/4"</b>
	INTERPRET GEOMETRIC TOLERANCING PER:		PROPRIETARY AND CONFIDENTIAL		
	MATERIAL: FINISH:		THE INFORMATION CONTAINED IN THIS DRAWING IS THE SOLE PROPERTY OF KENWOOD TELECOM. ANY REPRODUCTION IN PART OR AS A WHOLE WITHOUT THE WRITTEN PERMISSION OF KENWOOD TELECOM IS PROHIBITED.		
	DO NOT SCALE DRAWING		SIZE: <b>B</b> DWG. NO.: <b>T1310MT1-6</b> SCALE: 1:8 FINISHED WEIGHT: 108.36		

8 7 6 5 4 3 2 1