

Steel and Mounts



Accessories



Grounding



Safety

T1311MT4-8

36" Heavy Duty Stand-off Bracket Fits up to 4-8" OD Tapered Leg

General Specifications

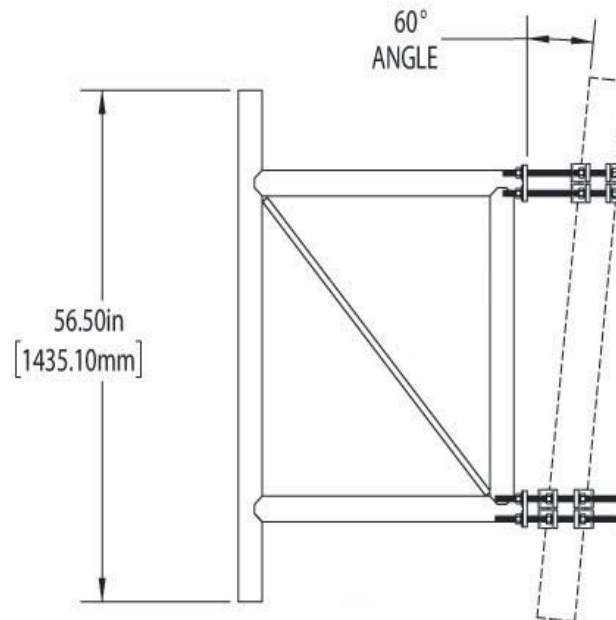
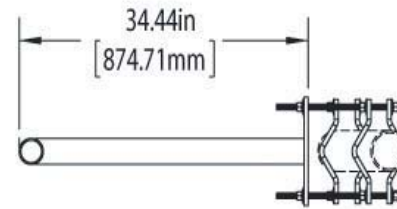
Product Type	Stand-off Clamp Set	
Tower Taper	Tapered	
Material Type	Hot dip galvanized steel	
Mounting	Tower Mount	
Package Quantity	1	
Weight	129.90 lb	58.92 kg

Products Specifications

Material:	HDG A123 Steel
Unit:	Sold as complete Kit

Packaging / Shipping Specs

Length	34.50 in		876.28 mm
Width	6.00 in		152.39 mm
Height	56.50 in		1435.07 mm
Aprox. Weight	155.0 lb		70.3 kg



Fits Legs	
Round:	2" to 5-3/4"
60° Angle:	2" to 5-3/4"
90° Angle:	2" to 3-1/2"