

Steel and Mounts



Accessories



Grounding



Safety

# T1312MT24

## 24" Stand-Off Mount to 5.75" Tapered Leg

### General Specifications

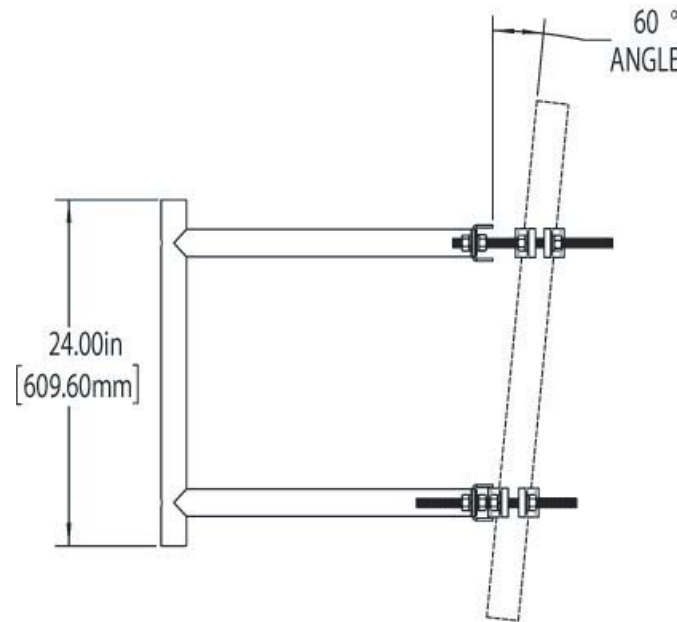
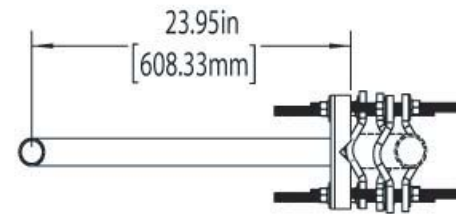
Product Type	Stand-off Clamp Set	
Tower Taper	Tapered	
Material Type	Hot dip galvanized steel	
Mounting	Tower Mount	
Package Quantity	1	
Weight	32.26 lb	14.63 kg

### Products Specifications

Material:	HDG A123 Steel	
Unit:	Sold as complete Kit	

### Packaging / Shipping Specs

Length	28.00 in		711.1 mm
Width	6.00 in		152.3 mm
Height	26.00 in		660.3 mm
Aprox. Weight	56.00 lb		25.4 kg



Fits Legs	
Round:	2" to 5-3/4"
60° Angle:	2" to 5-3/4"
90° Angle:	2" to 3-1/2"

