

Steel and Mounts



Accessories



Grounding



Safety

T1312MT36

36" Stand-Off Mount to 5.75" Tapered Leg

General Specifications

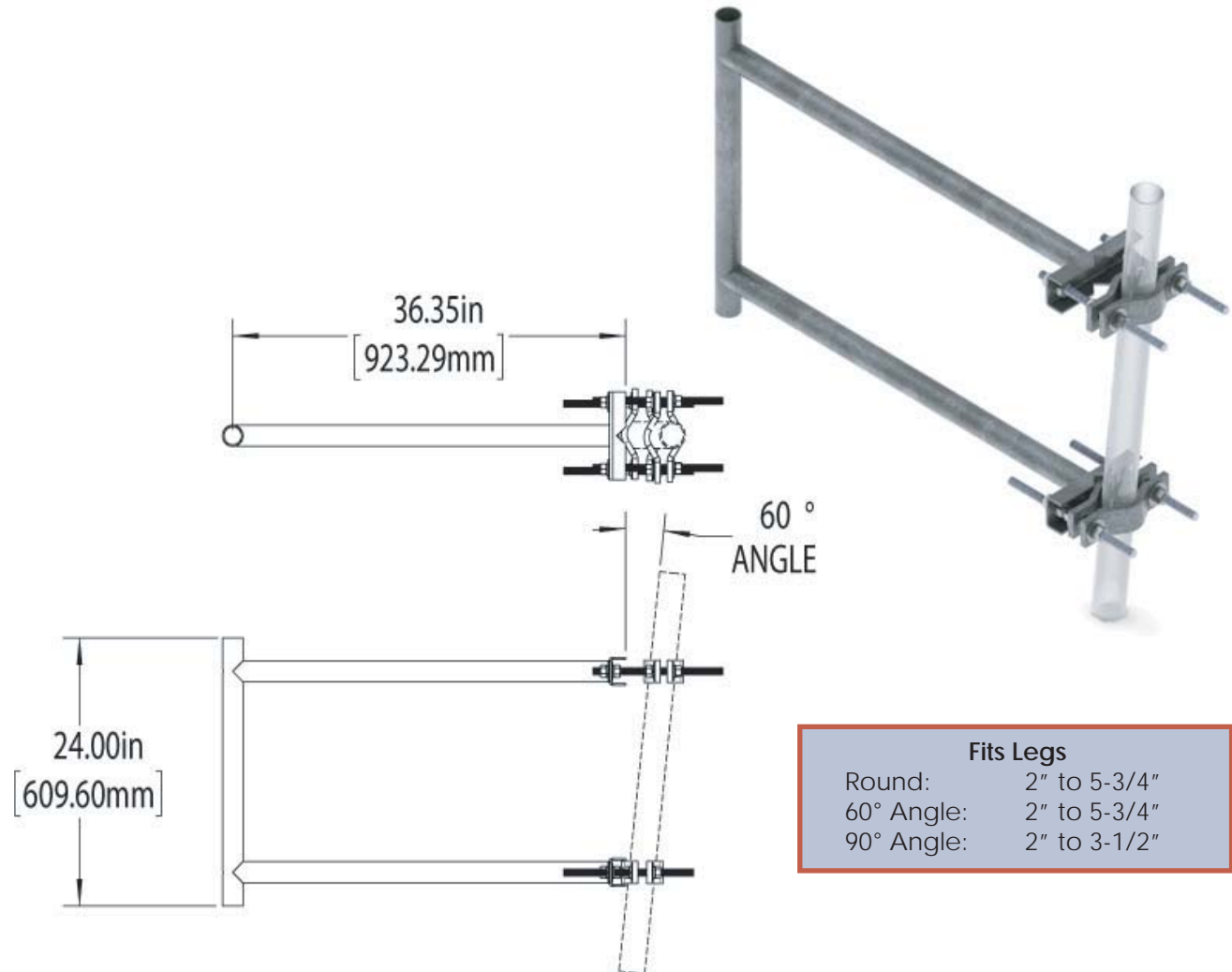
Product Type	Stand-off Clamp Set
Tower Taper	Tapered
Material Type	Hot dip galvanized steel
Mounting	Tower Mount
Package Quantity	1
Weight	36.26 lb 16.44 kg

Products Specifications

Material:	HDG A123 Steel
Unit:	Sold as complete Kit

Packaging / Shipping Specs

Length	42.00 in		1066.8 mm
Width	6.00 in		152.3 mm
Height	26.00 in		660.3 mm
Aprox. Weight	61.00 lb		27.6 kg



Fits Legs	
Round:	2" to 5-3/4"
60° Angle:	2" to 5-3/4"
90° Angle:	2" to 3-1/2"