

Steel and Mounts



Accessories



Grounding



Safety

T1312MT48

48" Stand-Off Mount to 5.75" Tapered Leg

General Specifications

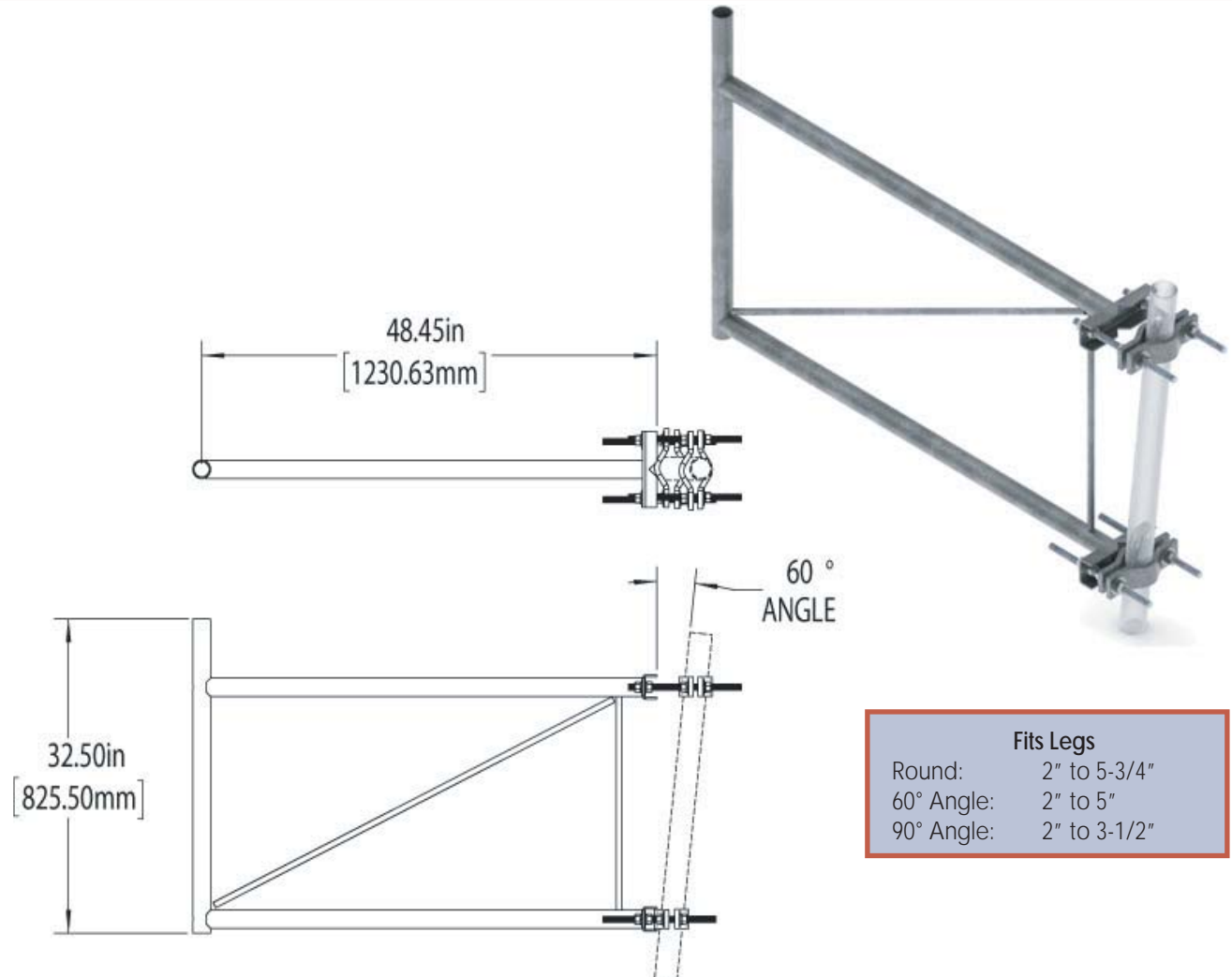
Product Type	Stand-off Clamp Set	
Tower Taper	Tapered	
Material Type	Hot dip galvanized steel	
Mounting	Tower Mount	
Package Quantity	1	
Weight	49.76 lb	22.57 kg

Products Specifications

Material:	HDG A123 Steel
Unit:	Sold as complete Kit

Packaging / Shipping Specs

Length	54.00 in		1371.5 mm
Width	36.00 in		914.3 mm
Height	36.00 in		914.3 mm
Aprox. Weight	75.00 lb		34.0 kg



Fits Legs	
Round:	2" to 5-3/4"
60° Angle:	2" to 5"
90° Angle:	2" to 3-1/2"