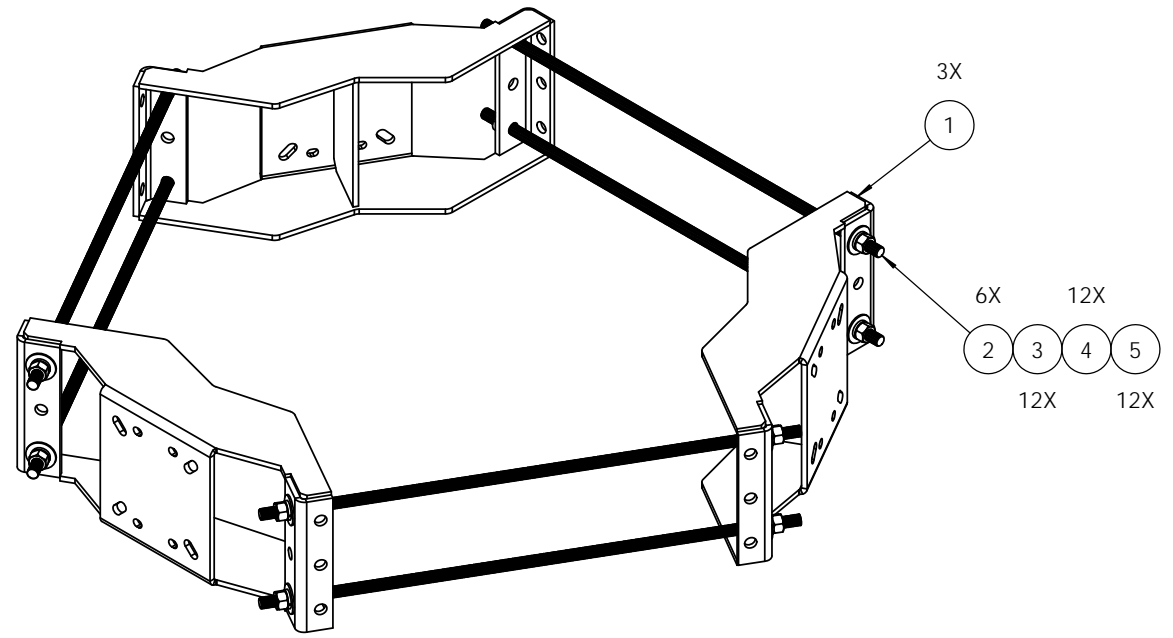




ITEM NO.	PART NUMBER	DESCRIPTION	QTY.
1	K1503KT40	Ring mount collar, 10-40"	3
2	K2325KT36i	3/4-10x36" F1554 gr 55lc HDG rod	6
3	H3012KT34GSA3	Flat washer, 3/4", SAE (A325), HDG	12
4	H3002KT34G	Lock washer, 3/4", HDG	12
5	H2002KT34GA3	Nut, 3/4" HH, HDG (A325)	12



 <b>KENWOOD</b> TELECOM <small>3431 Novis Pointe Acworth, Ga 30101          (770) 975-0500 office, (770) 974-5100 fax</small>	UNLESS OTHERWISE SPECIFIED: DIMENSIONS ARE IN INCHES TOLERANCES: FRACTIONAL: ± 1/32 ANGULAR: ± 2° ONE PLACE DECIMAL: ± .06 TWO PLACE DECIMAL: ± .03 THREE PLACE DECIMAL: ± .010 INTERPRET GEOMETRIC TOLERANCING PER:		NAME KAR	DATE 4/21/15	 <b>KENWOOD TELECOM</b> TITLE: Universal ring mount 10"-40" Kit
	MATERIAL:		DRAWN KAR	CHECKED	
	FINISH:		ENG APPR.	MFG APPR.	
	DO NOT SCALE DRAWING		PROPRIETARY AND CONFIDENTIAL THE INFORMATION CONTAINED IN THIS DRAWING IS THE SOLE PROPERTY OF KENWOOD TELECOM. ANY REPRODUCTION IN PART OR AS A WHOLE WITHOUT THE WRITTEN PERMISSION OF KENWOOD TELECOM IS PROHIBITED.		
SIZE <b>B</b>	DWG. NO. <b>T1503KT40A</b>	SCALE: 1:8	FINISHED WEIGHT: 173.66	REV SHEET 1 OF 1	