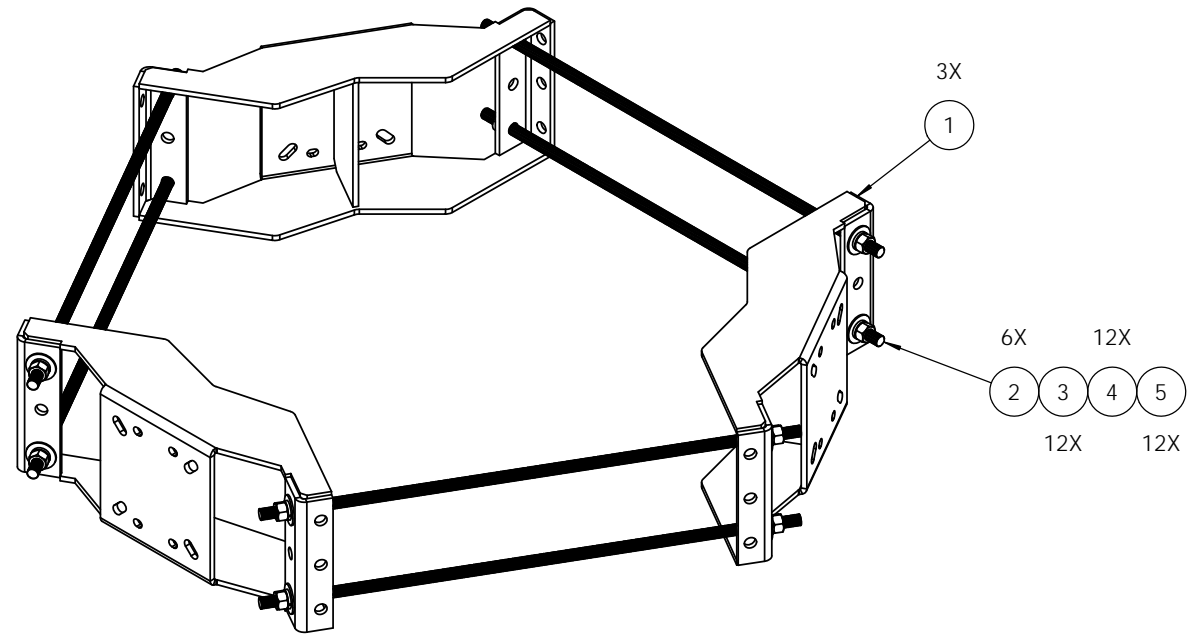




ITEM NO.	PART NUMBER	DESCRIPTION	QTY.
1	K1503KT40	Ring mount collar, 10-40"	3
2	K2325KT50i	3/4-10x50" F1554 gr 55lc HDG rod	6
3	H3012KT34GSA3	Flat washer, 3/4", SAE (A325), HDG	12
4	H3002KT34G	Lock washer, 3/4", HDG	12
5	H2002KT34GA3	Nut, 3/4" HH, HDG (A325)	12



 KENWOOD TELECOM <small>3431 Novis Pointe Acworth, Ga 30101 (770) 975-0500 office, (770) 974-5100 fax</small>	UNLESS OTHERWISE SPECIFIED: DIMENSIONS ARE IN INCHES TOLERANCES: FRACTIONAL: ± 1/32 ANGULAR: ± 2° ONE PLACE DECIMAL: ± .06 TWO PLACE DECIMAL: ± .03 THREE PLACE DECIMAL: ± .010		NAME: KAR DATE: 4/21/15		 KENWOOD TELECOM TITLE: Universal Ring Mount 10"-48"
	INTERPRET GEOMETRIC TOLERANCING PER:		PROPRIETARY AND CONFIDENTIAL		
	MATERIAL:		THE INFORMATION CONTAINED IN THIS DRAWING IS THE SOLE PROPERTY OF KENWOOD TELECOM. ANY REPRODUCTION IN PART OR AS A WHOLE WITHOUT THE WRITTEN PERMISSION OF KENWOOD TELECOM IS PROHIBITED.		
	FINISH:		DO NOT SCALE DRAWING		
SIZE B	DWG. NO. T1503KT48A	SCALE: 1:8	FINISHED WEIGHT: 155.23	REV SHEET 1 OF 1	