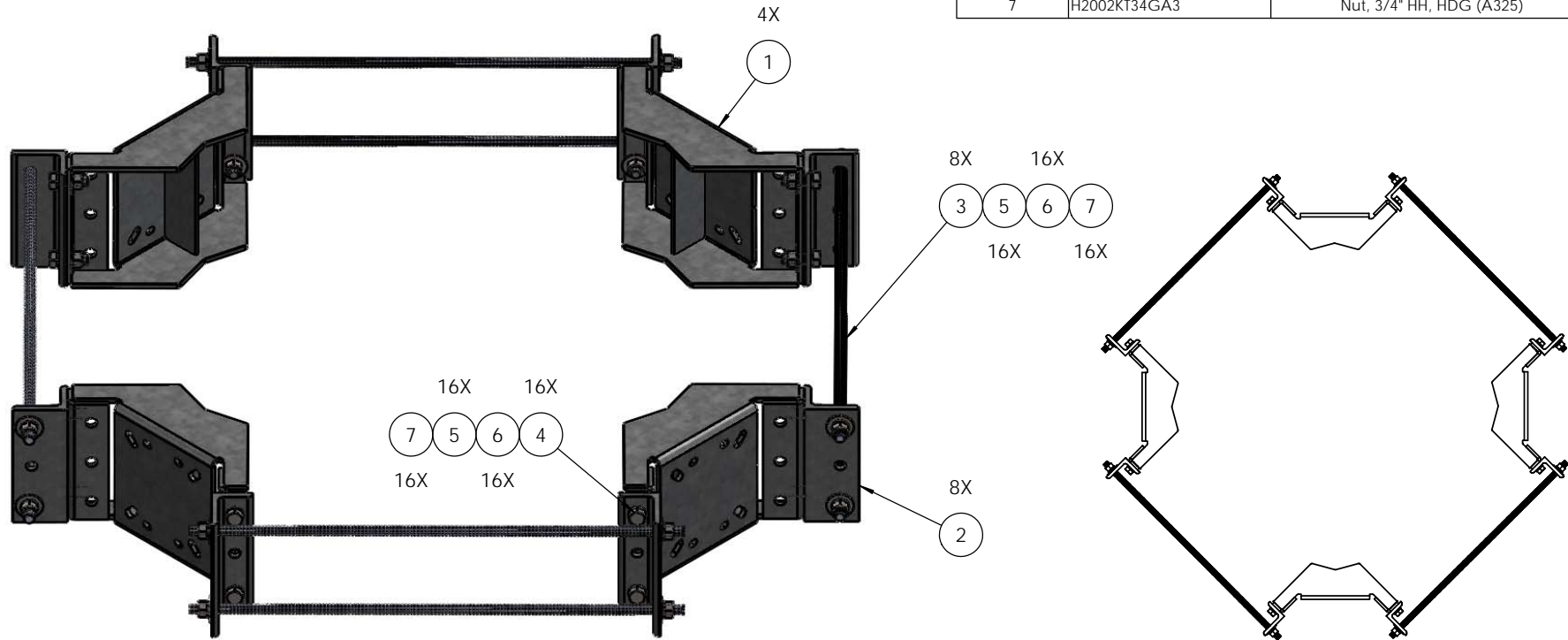


ITEM NO.	PART NUMBER	DESCRIPTION	QTY.
1	K1504KT40	Quad Ring Mount Weldment	4
2	K1506KT	Adaptor angle for 48"-60" poles	8
3	K2325KT36i	3/4-10x36" F1554 gr 55lc HDG rod	8
4	H1032KT214GA3	Bolt, 3/4" x 2-1/4" A325 HDG	16
5	H3012KT34GSA3	Flat washer, 3/4", SAE (A325), HDG	32
6	H3002KT34G	Lock washer, 3/4", HDG	32
7	H2002KT34GA3	Nut, 3/4" HH, HDG (A325)	32



UNLESS OTHERWISE SPECIFIED:
 DIMENSIONS ARE IN INCHES
 TOLERANCES:
 FRACTIONAL: ± 1/32
 ANGULAR: ± 2°
 ONE PLACE DECIMAL: ± .06
 TWO PLACE DECIMAL: ± .03
 THREE PLACE DECIMAL: ± .010

INTERPRET GEOMETRIC TOLERANCING PER:

MATERIAL:

FINISH:

DO NOT SCALE DRAWING

NAME	DATE
DRAWN: KAR	4/23/15
CHECKED:	
ENG APPR.:	
MFG APPR.:	

PROPRIETARY AND CONFIDENTIAL

THE INFORMATION CONTAINED IN THIS DRAWING IS THE SOLE PROPERTY OF KENWOOD TELECOM. ANY REPRODUCTION IN PART OR AS A WHOLE WITHOUT THE WRITTEN PERMISSION OF KENWOOD TELECOM IS PROHIBITED.

TITLE: Quad mount, 30-60" w/mount hardware		
SIZE B	DWG. NO. T1504KT60A	REV
SCALE: 1:8 FINISHED WEIGHT: 250.27		SHEET 1 OF 1