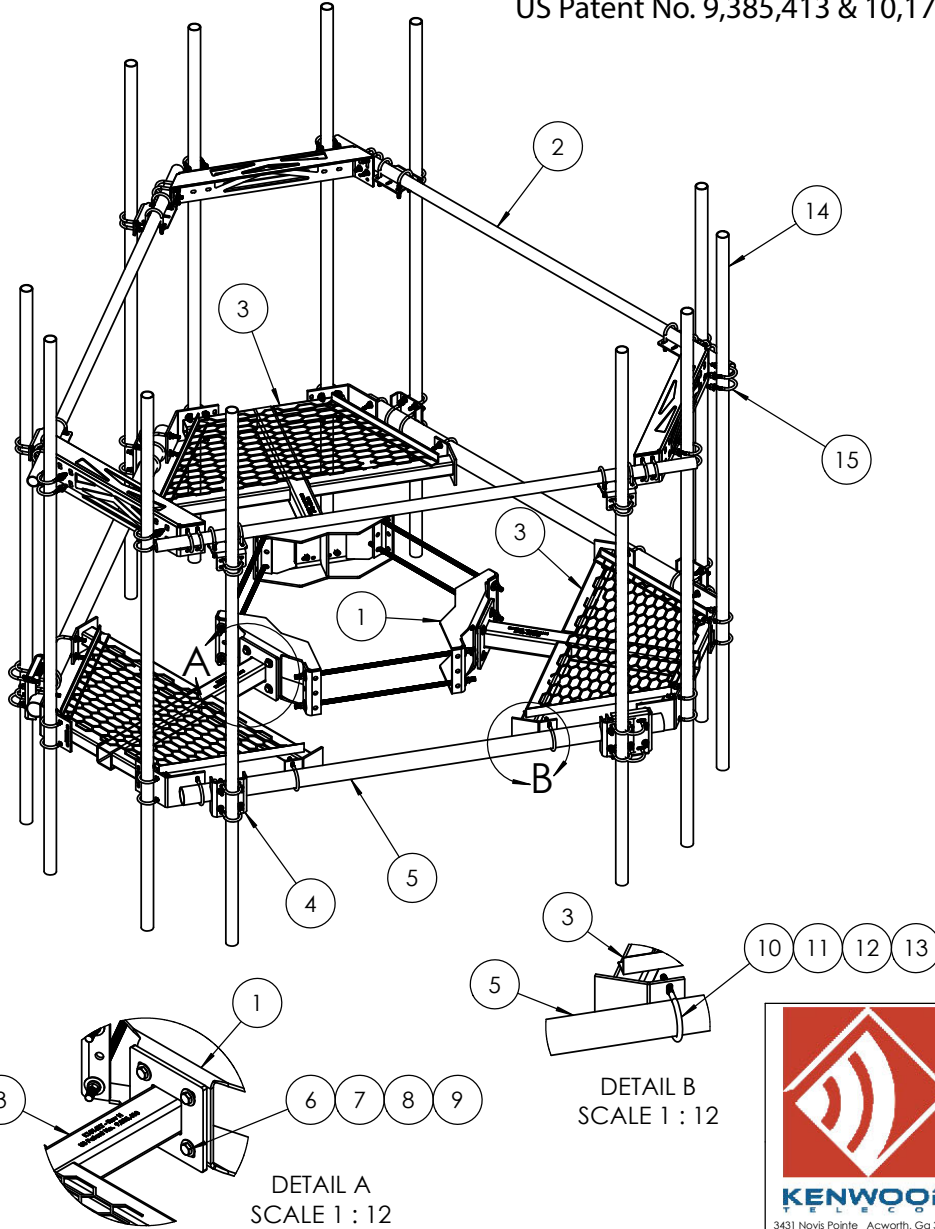


US Patent No. 9,385,413 & 10,170,818



ITEM NO.	PART NUMBER	DESCRIPTION	QTY.
1	T1503KTUA	Universal ring mount 10"- 60"	1
2	T1511KT9P	Pipe handrail kit for snub platform	1
3	K1516KT	Snub Platform Weldment	3
4	T1721KT-126	Pipe Mt Kt for 3-1/2" pipe w/2-3/8"x126"	6
5	P1200KT8	Pipe, 3.5" OD x 8' long HDG	3
6	H1029KT212GA3	Bolt, 5/8" x 2-1/2" HDG, (GR A325)	12
7	H3012KT58GSA3	Flat washer, 5/8", SAE (A325), HDG	24
8	H3002KT58G	Lock washer, 5/8", HDG	12
9	H2002KT58GA3	Nut, hex heavy 5/8" HDG A325	12
10	H7942KT6	U-Bolt, 1/2-13; 6" Lng; 3.625" IL; 3" thd; HDG	12
11	H3012KT12GSAE	Flat washer, hardened, 1/2", SAE, HDG	24
12	H3002KT12G	Lock washer, 1/2" HDG	24
13	H2002KT12GA3	Nut, hex heavy 1/2" HDG A325	24
14	P1000KT10.5	2-3/8" OD Pipe, 126" Long	6
15	K7941KT4-1	U-bolt kit, 2-3/8" OD pipe, (1 U-bolt)	24

Design Code: ANSI/TIA-222-G-2005 standard.
 Basic wind speed of 100 mph (3-sec gust).
 Structure Class II.
 Exposure Category C.
 Topographic Category 1.
 Crest Height 0.00 ft.
 Nominal ice thickness of 0.50 in.
 Ice density of 56 pcf.
 A wind speed of 30 mph is used in combination with ice.

Design Loading:
 150-ft Rad Center
 Six (two per sector) on main platform face
 Six (two per sector) on snub nose face
 w/out ice: Front 23.5 ft²; Side 9.5 ft²; Weight 125 lbs.
 w/ice: Front 24.3 ft²; Side 10.1 ft²; Weight 245 lbs.
 These areas would include the antennas, RRU's, and TMA's



3431 Novis Pointe Acworth, Ga 30101
 (770) 975-0500 office (770) 974-5100 fax

UNLESS OTHERWISE SPECIFIED: DIMENSIONS ARE IN INCHES TOLERANCES: FRACTIONAL: ± 1/32 ANGULAR: ± 2° ONE PLACE DECIMAL: ± .06 TWO PLACE DECIMAL: ± .03 THREE PLACE DECIMAL: ± .010		NAME KAR	DATE 8/20/20
INTERPRET GEOMETRIC TOLERANCING PER:	PROPRIETARY AND CONFIDENTIAL		
MATERIAL	THE INFORMATION CONTAINED IN THIS DRAWING IS THE SOLE PROPERTY OF KENWOOD TELECOM. ANY REPRODUCTION IN PART OR AS A WHOLE WITHOUT THE WRITTEN PERMISSION OF KENWOOD TELECOM IS PROHIBITED.		
FINISH	DO NOT SCALE DRAWING		

TITLE: Snub-nose platform (12) 120" pipes w/ 48" RM and handrail		
SIZE	DWG. NO.	REV
SCALE: 1:24	T1516KT-12120-MH	-
FINISHED WEIGHT: 1692.10		SHEET 1 OF 1