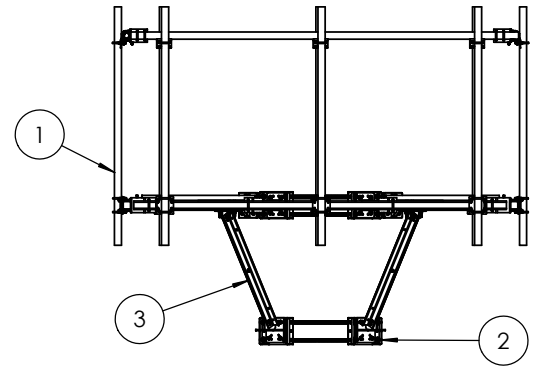
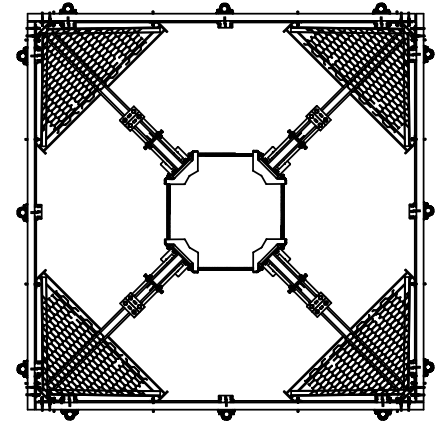


ITEM NO.	PART NUMBER	DESCRIPTION	
1	T1517KTR12-312120-H-S	Quad Platform, 12' Sq Tube Face (12) 2-7/8, 120" Long pipes 10-48 Ring Mount & Hand Rail	1
2	T1504KT40A	Quad mount, 10-40" w/mount hardware	1
3	T1730KTS	Stabilizer/Support Assembly-Single Arm w/o collar	4



UNLESS OTHERWISE SPECIFIED:
DIMENSIONS ARE IN INCHES
TOLERANCES:
FRACTIONAL: ± 1/32
ANGULAR: ± 2°
ONE PLACE DECIMAL: ± .06
TWO PLACE DECIMAL: ± .03
THREE PLACE DECIMAL: ± .010

INTERPRET GEOMETRIC
TOLERANCING PER:

MATERIAL

FINISH

DO NOT SCALE DRAWING

NAME	DATE
KAR	1/22/20
CHECKED	
ENG APPR.	
MFG APPR.	

PROPRIETARY AND CONFIDENTIAL

THE INFORMATION CONTAINED IN THIS DRAWING IS THE SOLE PROPERTY OF KENWOOD TELECOM. ANY REPRODUCTION IN PART OR AS A WHOLE WITHOUT THE WRITTEN PERMISSION OF KENWOOD TELECOM IS PROHIBITED.

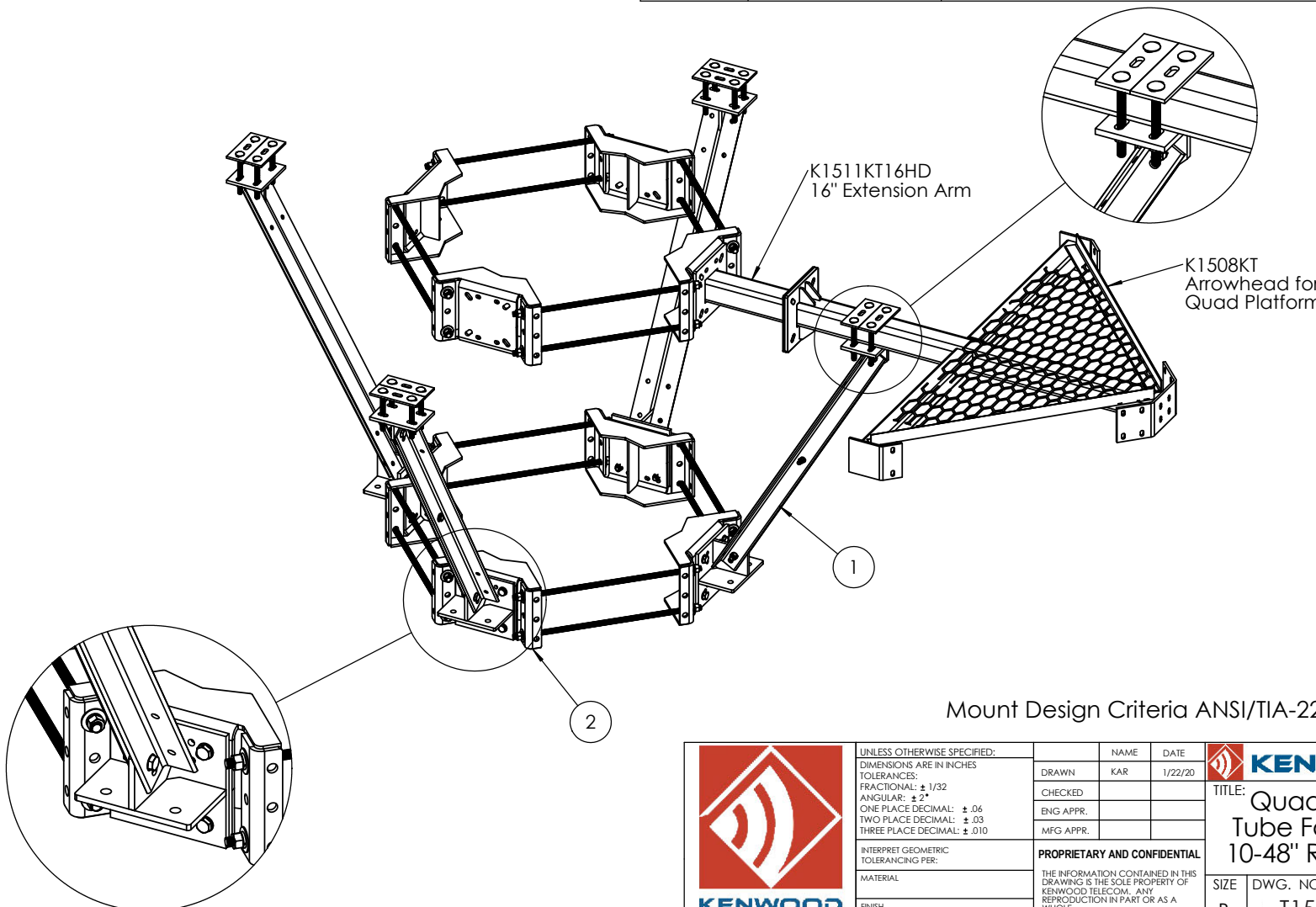
KENWOOD TELECOM

TITLE: Quad Platform, 12' Square Tube Face (12) 2-7/8, 120" pipes 10-48" Ring Mount & Hand Rail

SIZE	DWG. NO.	REV
B	T1517KTR12-312120-H-S	

SCALE: 1:25 FINISHED WEIGHT: 3485.95 SHEET 1 OF 2

ITEM NO.	PART NUMBER	DESCRIPTION	
1	T1508KT12-12396-S-H	Quad Platform, 12ft pipe face, w/Handrail, ring mount, and pipes	1
2	T1504KT40A	Quad mount, 10-40" w/mount hardware	1
3	T1730KTS	Stabilizer/Support Assembly-Single Arm w/o collar	4



Mount Design Criteria ANSI/TIA-222-H-2017 and TIA-5053



UNLESS OTHERWISE SPECIFIED:
DIMENSIONS ARE IN INCHES
TOLERANCES:
FRACTIONAL: $\pm 1/32$
ANGULAR: $\pm 2^\circ$
ONE PLACE DECIMAL: $\pm .06$
TWO PLACE DECIMAL: $\pm .03$
THREE PLACE DECIMAL: $\pm .010$

INTERPRET GEOMETRIC
TOLERANCING PER:

MATERIAL

FINISH

DO NOT SCALE DRAWING

NAME	DATE
DRAWN KAR	1/22/20
CHECKED	
ENG APPR.	
MFG APPR.	

PROPRIETARY AND CONFIDENTIAL

THE INFORMATION CONTAINED IN THIS
DRAWING IS THE SOLE PROPERTY OF
KENWOOD TELECOM. ANY
REPRODUCTION IN PART OR AS A
WHOLE
WITHOUT THE WRITTEN PERMISSION OF
KENWOOD TELECOM IS
PROHIBITED.



KENWOOD TELECOM

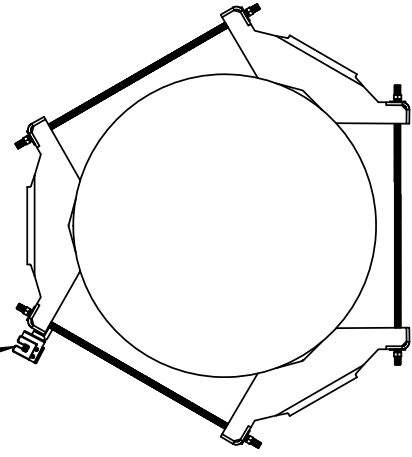
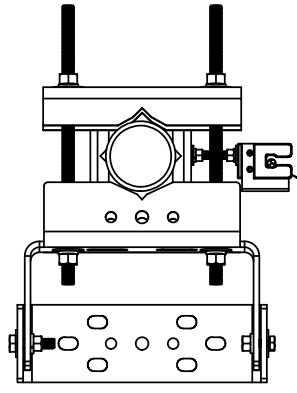
TITLE: Quad Platform, 12' Square
Tube Face (12) 96" pipes with
10-48" Ring Mount & Hand Rail

SIZE	DWG. NO.	REV
B	T1517KTR12-312120-H-S	-
SCALE: 1:16 FINISHED WEIGHT:		SHEET 2 OF 2

8 7 6 5 4 3 2 1

D

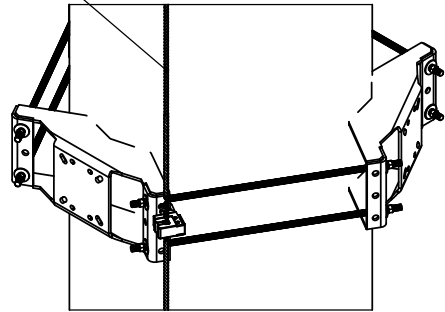
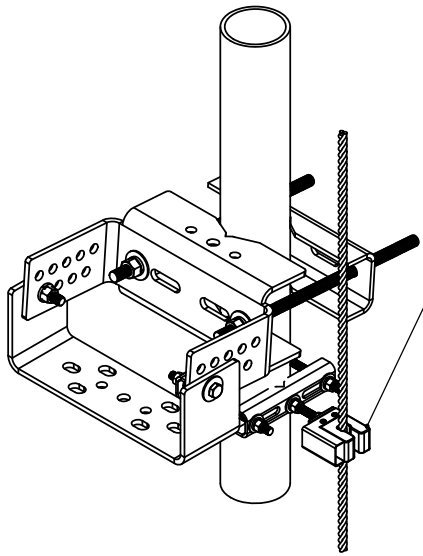
D



Position mount or adjust safety climb cable so not to hinder or damage or trap or obstruct the safety climb. Safety cable routing bracket may be purchased separately. Supplied by others.

C

C





B

B

A

A

 KENWOOD TELECOM <small>3431 Novis Pointe Acworth, Ga 30101 (770) 975-0500 office (770) 974-5100 fax</small>	UNLESS OTHERWISE SPECIFIED: DIMENSIONS ARE IN INCHES TOLERANCES: FRACTIONAL: ± 1/32 ANGULAR: ± 2° ONE PLACE DECIMAL: ± .06 TWO PLACE DECIMAL: ± .03 THREE PLACE DECIMAL: ± .010	NAME: KAR DATE: 2/10/21	 KENWOOD TELECOM
	INTERPRET GEOMETRIC TOLERANCING PER: MATERIAL: FINISH: DO NOT SCALE DRAWING	CHECKED: ENG APPR.: MFG APPR.:	
PROPRIETARY AND CONFIDENTIAL THE INFORMATION CONTAINED IN THIS DRAWING IS THE SOLE PROPERTY OF KENWOOD TELECOM. ANY REPRODUCTION IN PART OR AS A WHOLE WITHOUT THE WRITTEN PERMISSION OF KENWOOD TELECOM IS PROHIBITED.		SIZE: 1:8 FINISHED WEIGHT:	DWG. NO.: Safety Climb
			REV: - SHEET 1 OF 1

8 7 6 5 4 3 2 1