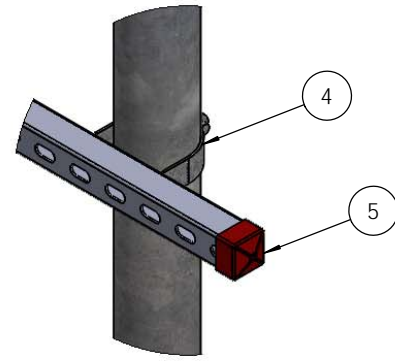
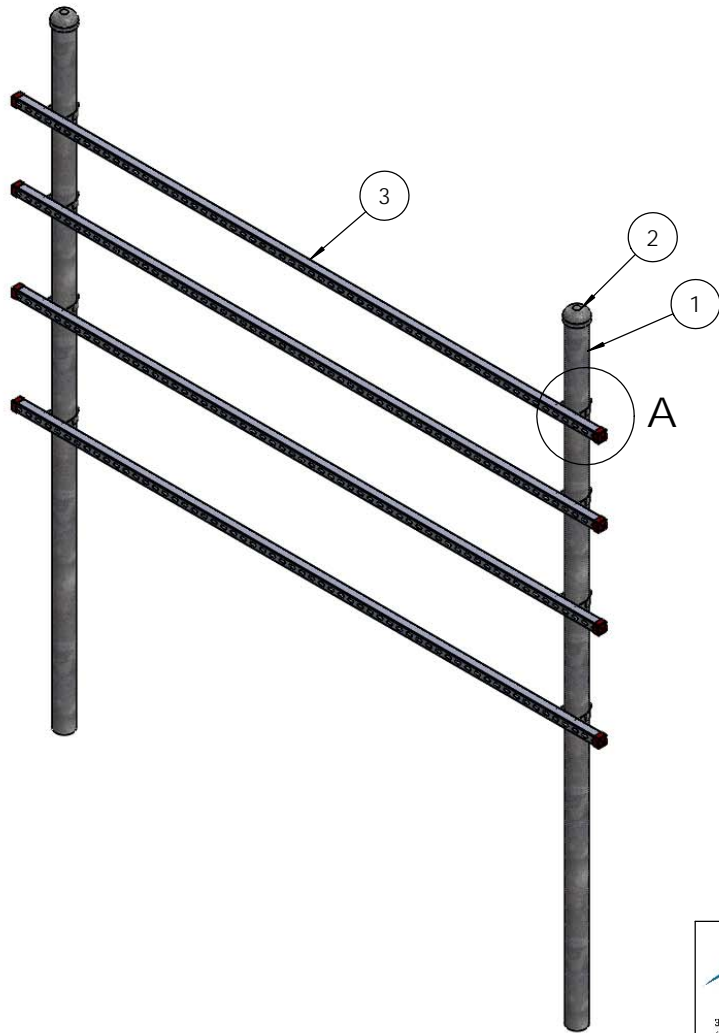


ITEM NO.	PART NUMBER	DESCRIPTION	QTY.
1	P1200KT10.5	3.50" OD Pipe, 126" Long	2
2	P8000KT3.5	Pipe Cap for 3.5" OD Pipe	2
3	P5001ER158HD	Unistrut, 1-5/8" x 1-5/8" x 10' Long, slotted	4
4	P9010ER3.0	Pipe Clamp, Rigid Pipe, 3", Zinc Plated	8
5	P8000KT158R	End Cap, Red, 1-5/8" Unistrut	8



DETAIL A  
SCALE 1 : 5



**PROPRIETARY AND CONFIDENTIAL**  
THE INFORMATION CONTAINED IN THIS DRAWING IS THE SOLE PROPERTY OF KENWOOD TELECOM. ANY REPRODUCTION IN PART OR AS A WHOLE WITHOUT THE WRITTEN PERMISSION OF KENWOOD TELECOM IS PROHIBITED.

UNLESS OTHERWISE SPECIFIED:  
DIMENSIONS ARE IN INCHES  
TOLERANCES:  
FRACTIONAL:  $\pm 1/32$   
ANGULAR:  $\pm 2^\circ$   
ONE PLACE DECIMAL:  $\pm .06$   
TWO PLACE DECIMAL:  $\pm .03$   
THREE PLACE DECIMAL:  $\pm .010$   
INTERPRET GEOMETRIC TOLERANCING PER:  
MATERIAL:  
FINISH:  
DO NOT SCALE DRAWING

NAME	DATE
DRAWN: KAR	2/19/13
CHECKED:	
ENG APPR.:	
MFG APPR.:	
Q.A.:	
COMMENTS:	

<b>KENWOOD TELECOM</b>		
TITLE: <b>Utility H-Frame with 4 Rails</b>		
SIZE <b>B</b>	DWG. NO. <b>T1701KT4</b>	REV
SCALE: 1:18 UNFINISHED WEIGHT: 238.88		SHEET 1 OF 1