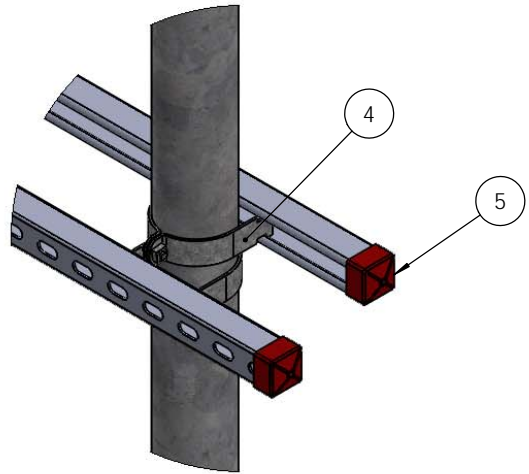
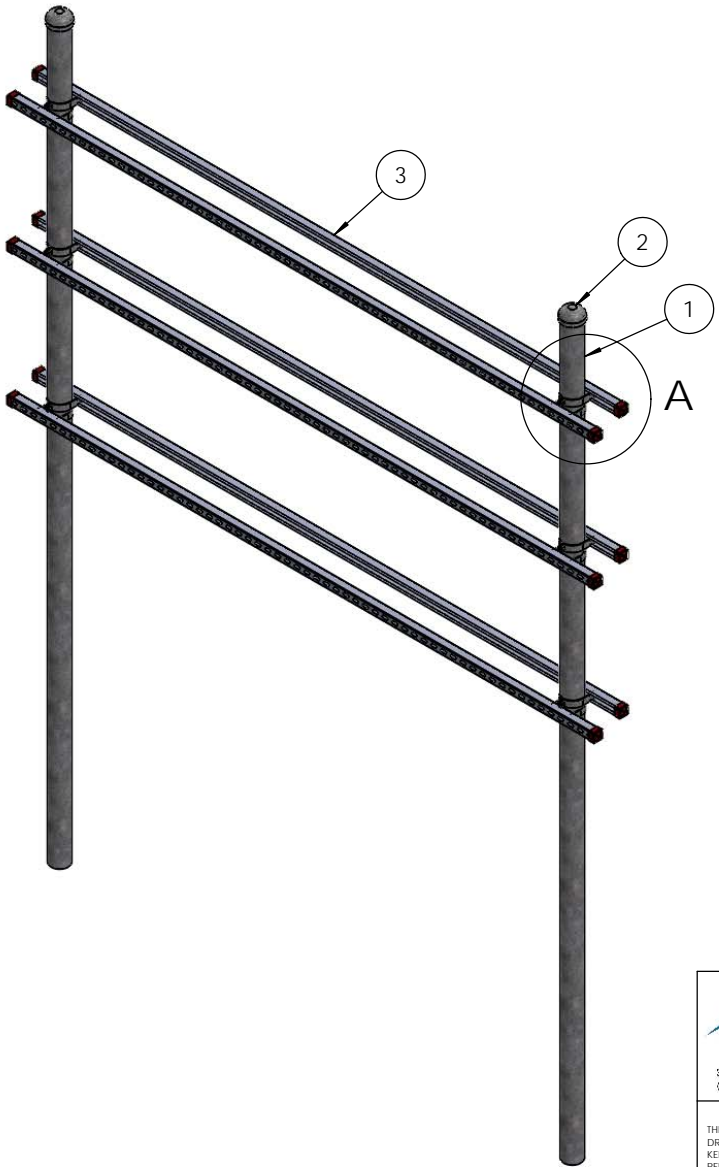



ITEM NO.	PART NUMBER	DESCRIPTION	QTY.
1	P1200KT12.5	3.50" OD Pipe, 150" Long	2
2	P8000KT3.5	Pipe Cap for 3.5" OD Pipe	2
3	P5001ER158HD	Unistrut, 1-5/8" x 1-5/8" x 10' Long, slotted	6
4	P9010ER3.0	Pipe Clamp, Rigid Pipe, 3", Zinc Plated	12
5	P8000KT158R	End Cap, Red, 1-5/8" Unistrut	12



DETAIL A
SCALE 1 : 5

 3421 Nova Point, Acworth, GA 30131 (868) 438-0500 (770) 974-5100 fax	UNLESS OTHERWISE SPECIFIED: DIMENSIONS ARE IN INCHES TOLERANCES: FRACTIONAL: $\pm 1/32$ ANGULAR: $\pm 2^\circ$ ONE PLACE DECIMAL: $\pm .06$ TWO PLACE DECIMAL: $\pm .03$ THREE PLACE DECIMAL: $\pm .010$	DRAWN	NAME	DATE	KENWOOD TELECOM TITLE: Utility H-Frame with 6 Rails
	INTERPRET GEOMETRIC TOLERANCING PER:	CHECKED			
	MATERIAL	ENG APPR.			
	FINISH	MFG APPR.			
DO NOT SCALE DRAWING	COMMENTS:				SIZE B DWG. NO. T1701KT6 REV SCALE: 1:18 UNFINISHED WEIGHT: 307.51 SHEET 1 OF 1