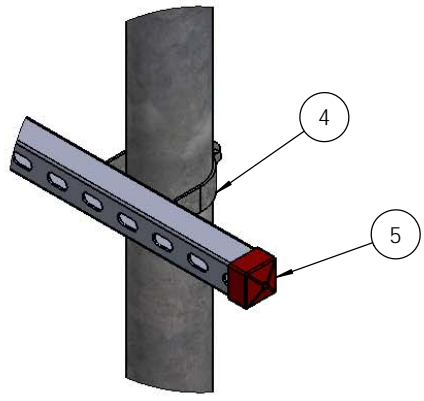
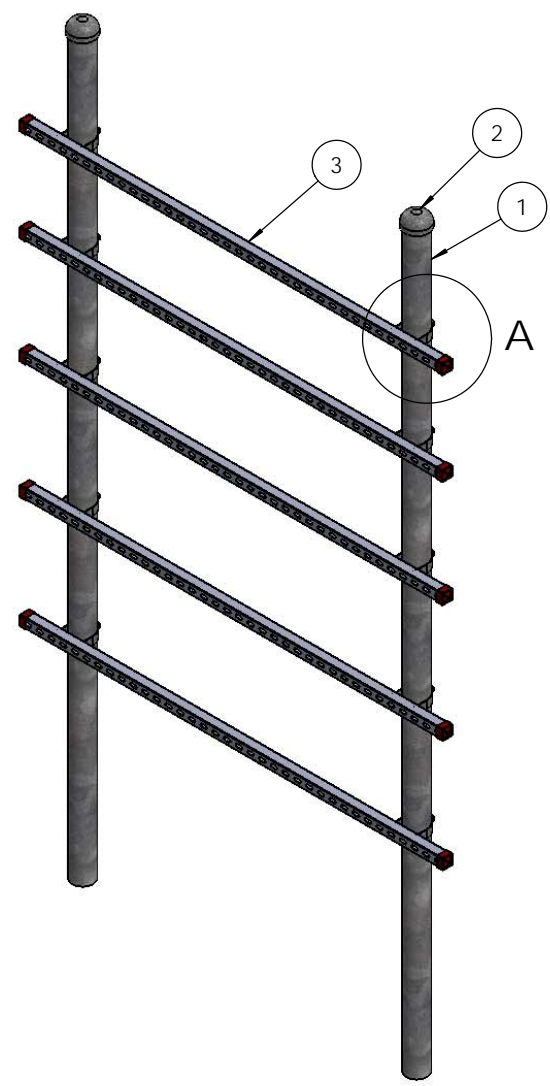


8 7 6 5 4 3 2 1

| ITEM NO. | PART NUMBER | DESCRIPTION | QTY. |
|----------|---------------|--|------|
| 1 | P1200KT10.5 | 3.50" OD Pipe, 126" Long | 2 |
| 2 | P8000KT3.5 | Pipe Cap for 3.5" OD Pipe | 2 |
| 3 | P5001ER158HD6 | Unistrut, 1-5/8" x 1-5/8" x 6' Long, slotted | 5 |
| 4 | P9010ER3.0 | Pipe Clamp, Rigid Pipe, 3", Zinc Plated | 10 |
| 5 | P8000KT158R | End Cap, Red, 1-5/8" Unistrut | 10 |


D
C
B
A



DETAIL A
SCALE 1 : 5

D
C
B
A

8 7 6 5 4 3 2 1

| | | | | | | |
|--|--|-----------|-----------|---------------------------------------|-------------------------------|--------------|
|  KENWOOD TELECOM 3421 Novis Point, Suwanee, GA 30117 (868) 438-0500 (770) 974-5100 fax | UNLESS OTHERWISE SPECIFIED: DIMENSIONS ARE IN INCHES TOLERANCES: FRACTIONAL: ± 1/32 ANGULAR: ± 2° ONE PLACE DECIMAL: ± .06 TWO PLACE DECIMAL: ± .03 THREE PLACE DECIMAL: ± .010 | NAME | DATE | KENWOOD TELECOM | | |
| | INTERPRET GEOMETRIC TOLERANCING PER: | DRAWN | KAR | | | 2/19/13 |
| | MATERIAL | FINISH | ENG APPR. | | Telco H-Frame, 5 level | |
| | DO NOT SCALE DRAWING | COMMENTS: | MFG APPR. | | | |
| PROPRIETARY AND CONFIDENTIAL THE INFORMATION CONTAINED IN THIS DRAWING IS THE SOLE PROPERTY OF KENWOOD TELECOM. ANY REPRODUCTION IN PART OR AS A WHOLE WITHOUT THE WRITTEN PERMISSION OF KENWOOD TELECOM IS PROHIBITED. | | | | B | T1703KT3 | |
| | | | | SCALE: 1:15 UNFINISHED WEIGHT: 174.97 | | SHEET 1 OF 1 |