

8 7 6 5 4 3 2 1

ITEM NO.	PART NUMBER	DESCRIPTION	QTY.
1	P1200KT10.5	3.50" OD Pipe, 126" Long	3
2	P8000KT3.5	Pipe Cap for 3.5" OD Pipe	3
3	P5001ER158HD	Unistrut, 1-5/8" x 1-5/8" x 10' Long, slotted	10
4	P9010ER3.0	Pipe Clamp, Rigid Pipe, 3", Zinc Plated	30
5	P8000KT158R	End Cap, Red, 1-5/8" Unistrut	20

D

D

C

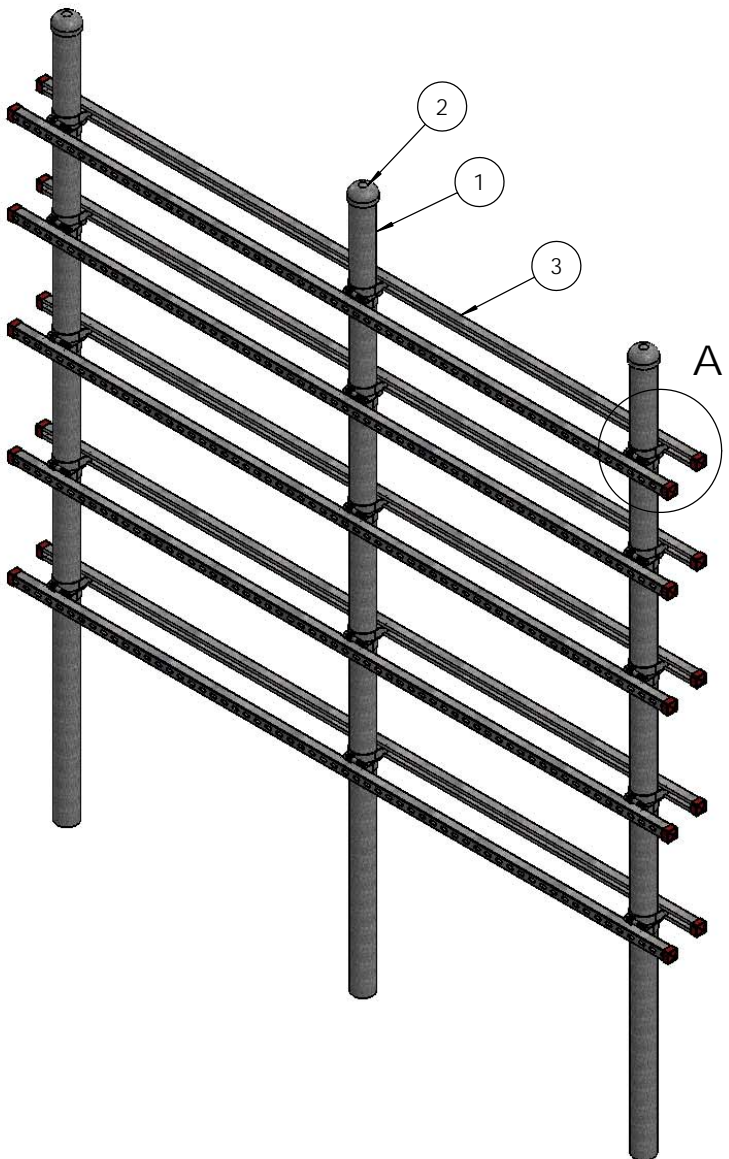
C

B

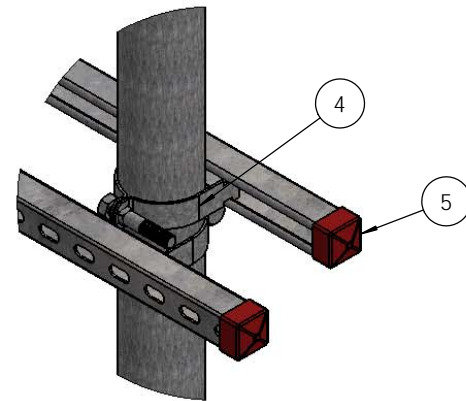
B

A


A



A



DETAIL A
SCALE 1 : 5

 KENWOOD TELECOM 3421 Novia Point, Acworth, GA 30101 (868) 438-0500 (770) 974-5100 fax	UNLESS OTHERWISE SPECIFIED: DIMENSIONS ARE IN INCHES TOLERANCES: FRACTIONAL: ± 1/32 ANGULAR: ± 2° ONE PLACE DECIMAL: ± .06 TWO PLACE DECIMAL: ± .03 THREE PLACE DECIMAL: ± .010	NAME	DATE	KENWOOD TELECOM		
	INTERPRET GEOMETRIC TOLERANCING PER:	DRAWN	KAR			2/19/13
	PROPRIETARY AND CONFIDENTIAL THE INFORMATION CONTAINED IN THIS DRAWING IS THE SOLE PROPERTY OF KENWOOD TELECOM. ANY REPRODUCTION IN PART OR AS A WHOLE WITHOUT THE WRITTEN PERMISSION OF KENWOOD TELECOM IS PROHIBITED.	MATERIAL	CHECKED		2 Sided Master H-Frame, 5 level	
	FINISH	ENG APPR.		MFG APPR.		
DO NOT SCALE DRAWING	COMMENTS:	Q.A.		SIZE	DWG. NO.	REV
				B	T1703KT5	
				SCALE: 1:16 UNFINISHED WEIGHT: 448.95		SHEET 1 OF 1

8 7 6 5 4 3 2 1