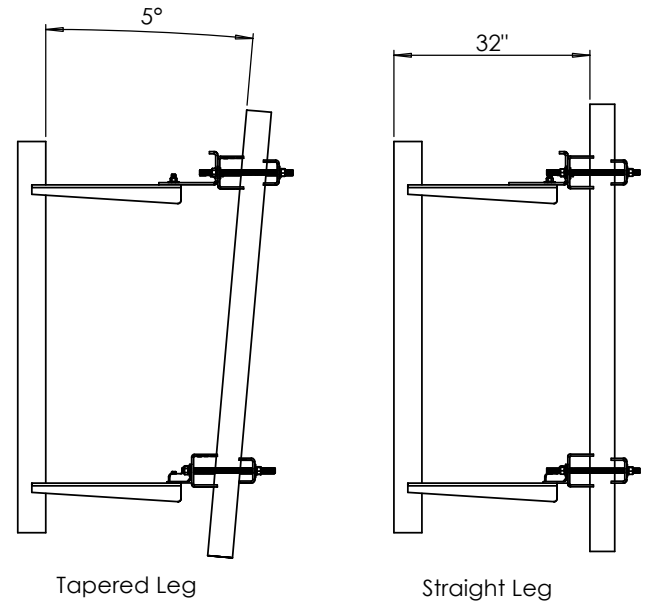
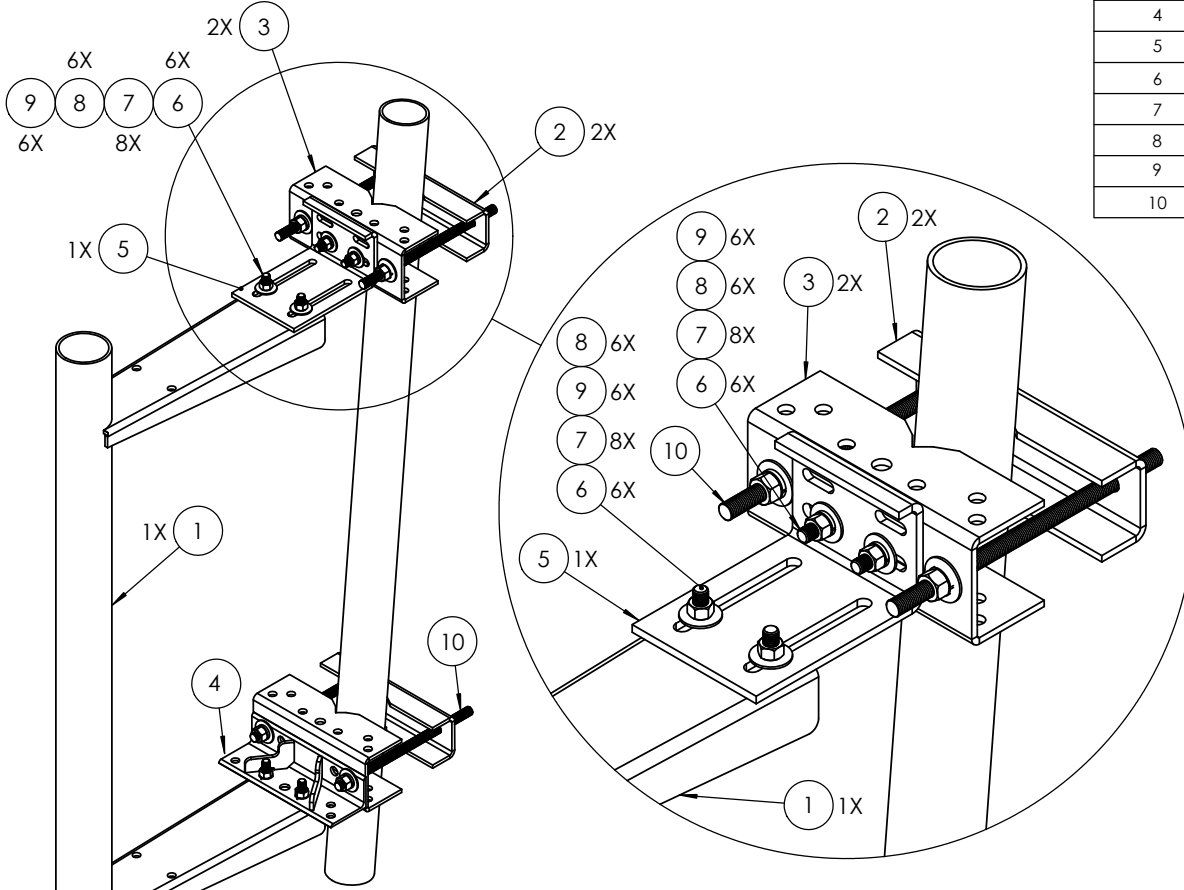


ITEM NO.	PART NUMBER	DESCRIPTION	QTY.
1	K1340KT1	24" stand-off pipe mount frame	1
2	K1704KT-05	Channel-inner sector frame	2
3	K1690KT-03	Channel for Sector Frame	2
4	K1690KT-04	Angle Sector Frame	1
5	K1704KT-02	Slider Plate, Taper Adjustment	1
6	H1029KT214GA3	Bolt, 5/8" x 2-1/4" (A325) HH HDG	6
7	H3012KT58GSA3	Flat washer, 5/8", SAE (A325), HDG	8
8	H3002KT58G	Lock washer, 5/8", HDG	6
9	H2002KT58GA3	Nut, hex heavy 5/8" HDG A325	6
10	K2320KT18iA	Threaded Rod Kit 3/4" x 18" (4 ea) HDG B7	1



**KENWOOD TELECOM**  
3431 Novis Pointe Acworth, Ga 30101  
(770) 975-0500 office (770) 974-5100 fax

UNLESS OTHERWISE SPECIFIED:  
DIMENSIONS ARE IN INCHES  
TOLERANCES:  
FRACTIONAL: ± 1/32  
ANGULAR: ± 2°  
ONE PLACE DECIMAL: ± .06  
TWO PLACE DECIMAL: ± .03  
THREE PLACE DECIMAL: ± .010

INTERPRET GEOMETRIC TOLERANCING PER:

MATERIAL

FINISH

DO NOT SCALE DRAWING

NAME	DATE
KAR	6/17/15
CHECKED	
ENG APPR.	
MFG APPR.	

PROPRIETARY AND CONFIDENTIAL

THE INFORMATION CONTAINED IN THIS DRAWING IS THE SOLE PROPERTY OF KENWOOD TELECOM. ANY REPRODUCTION IN PART OR AS A WHOLE WITHOUT THE WRITTEN PERMISSION OF KENWOOD TELECOM IS PROHIBITED.



TITLE:  
**2 ft Stand-off Mount for Microwave Dish**

SIZE **B** DWG. NO. **T1704KT3A** REV

SCALE: 1:20 FINISHED WEIGHT: 163.51 SHEET 1 OF 1