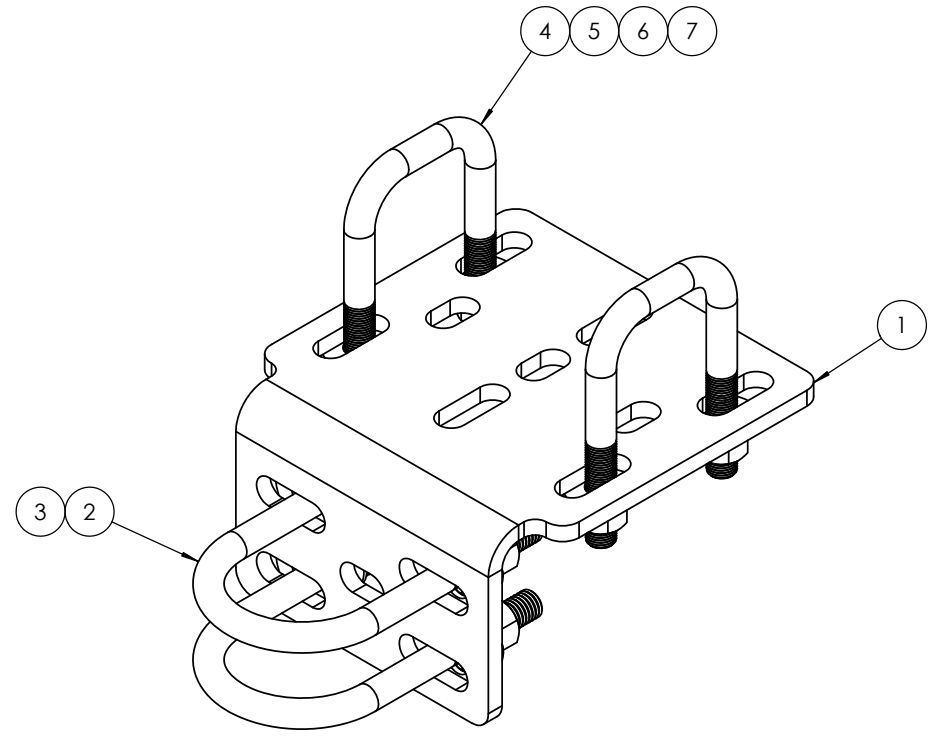




8 7 6 5 4 3 2 1

ITEM NO.	PART NUMBER	DESCRIPTION	QTY.
1	K1708KT35	Crossover angle mount, 2-3/8" thru 2-7/8"	1
2	K7941KT4-1	U-bolt kit, 2-3/8" OD pipe, (1 U-bolt)	2
3	K7940KT14-1	U-bolt kit, 2-7/8" OD pipe (1-Ubolt)	2
4	H7940KT214SQ	1/2" Sq U-Bolt for 2" Sq Tube	2
5	H3012KT12GSAE	Flat washer, 1/2", SAE (A325), HDG	8
6	H3002KT12G	Lock washer, 1/2" HDG	8
7	H2002KT12GA3	Nut, 1/2" HH, HDG (A325)	8

D
C
B
A

D
C
B
A



 KENWOOD TELECOM <small>3431 Novis Pointe Acworth, Ga 30101 (770) 975-0500 office (770) 974-5100 fax</small>	UNLESS OTHERWISE SPECIFIED: DIMENSIONS ARE IN INCHES TOLERANCES: FRACTIONAL: ± 1/32 ANGULAR: ± 2° ONE PLACE DECIMAL: ± .06 TWO PLACE DECIMAL: ± .03 THREE PLACE DECIMAL: ± .010 INTERPRET GEOMETRIC TOLERANCING PER:	NAME: KAR DATE: 5/30/23	 KENWOOD TELECOM TITLE: Pipe Mount Kit, 2" Sq tube to 2-3/8" or 2-7/8" pipe	
	MATERIAL: FINISH:	DRAWN: KAR CHECKED: ENG APPR.: MFG APPR.:		SIZE: DWG. NO. T1708KT4S REV: -
	DO NOT SCALE DRAWING	PROPRIETARY AND CONFIDENTIAL THE INFORMATION CONTAINED IN THIS DRAWING IS THE SOLE PROPERTY OF KENWOOD TELECOM. ANY REPRODUCTION IN PART OR AS A WHOLE WITHOUT THE WRITTEN PERMISSION OF KENWOOD TELECOM IS PROHIBITED.		
		SCALE: 1:2 FINISHED WEIGHT: 8.15		SHEET 1 OF 1

8 7 6 5 4 3 2 1