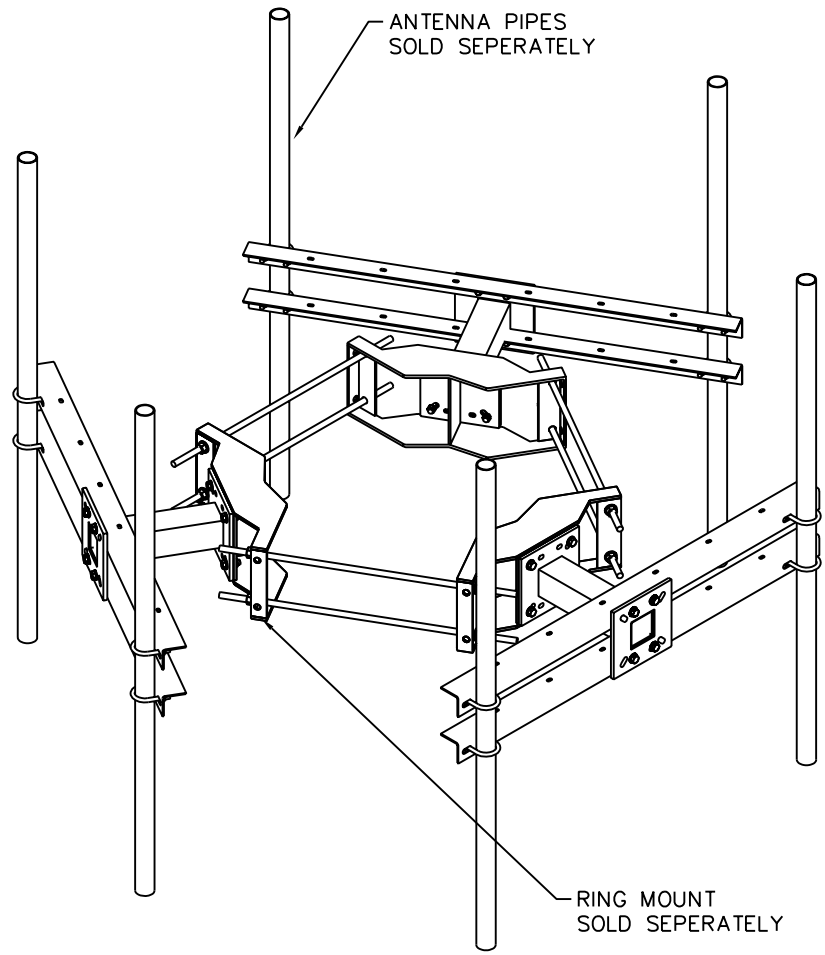
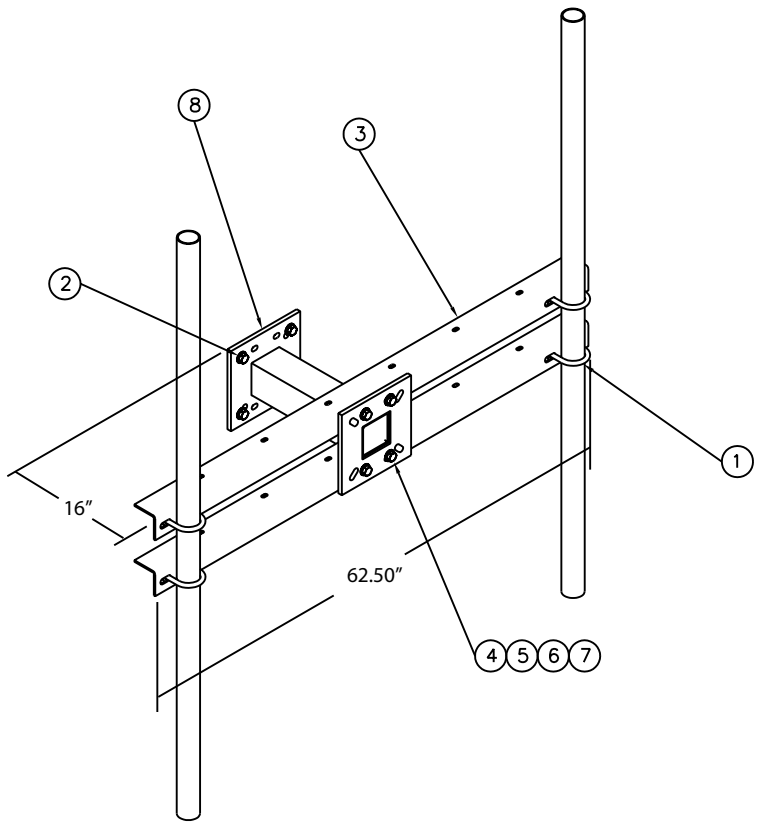


P/N T1714KT
 TITLE 16" STAND-OFF DUAL PIPE ARM



QTY	ITEM	PART NUMBER	DESCRIPTION
1	1	K1029KT214-4	5/8" x 2-1/4" A325 BOLT KIT (4 BOLTS)
2	2	K7941KT4-2	U-BOLT KIT, 2-3/8" (2 U-BOLTS)
2	3	K3415KT48	62-1/2" L SUPPORT ANGLE, ICE BRIDGE 48"
4	4	H1026KT2GA3	BOLT, 1/2" x 2" HDG A325
16	5	H3012KT12GSAE	1/2" FLAT WASHER
4	6	H3002KT12G	1/2" LOCK WASHER
4	7	H2002KT12GA3	NUT, HEX HEAVY 1/2" HDG A325
1	8	K1511KT16	EXTENSION ARM FOR PLATFORM, 16"



Man Rating: 250 lb vertical man load at 15 mph (BWS)

Wind Rating*: 120 mph (BWS) per latest revision of TIA/EIA 222
 140 mph 3-second gust, Exposure "D" per FBC, at 150' AGL

*Typical installation of (2) 72" x 8" panel antennas per sector

3431 Novis Point Acworth, GA 30101
 (888) 439-0500 (770) 974-5100 fax

DRAWN KAA	DATE 5/4/06	Weight: 90 lbs
TITLE 16" STAND-OFF DUAL PIPE ARM 48" SEPARATION		
DRAWING NO T1714KT	REV	SHEET 1 OF 1