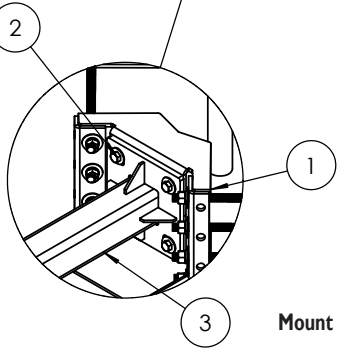
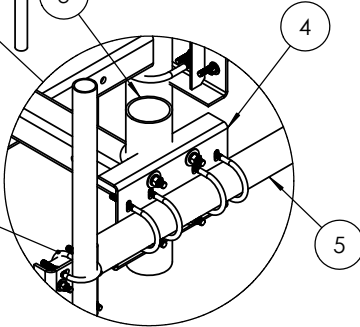
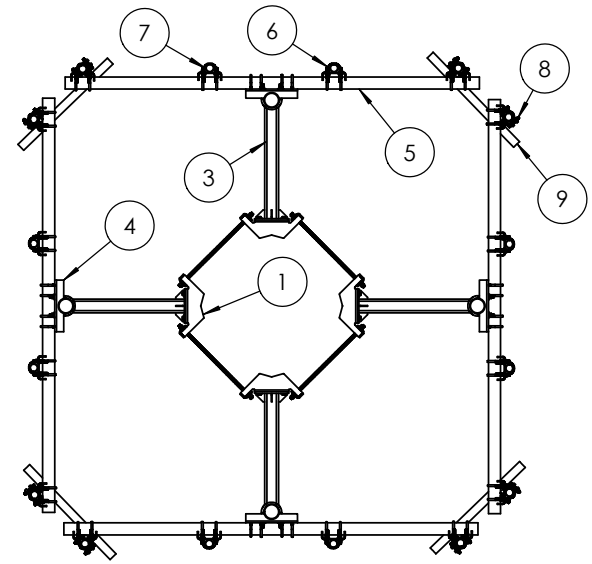
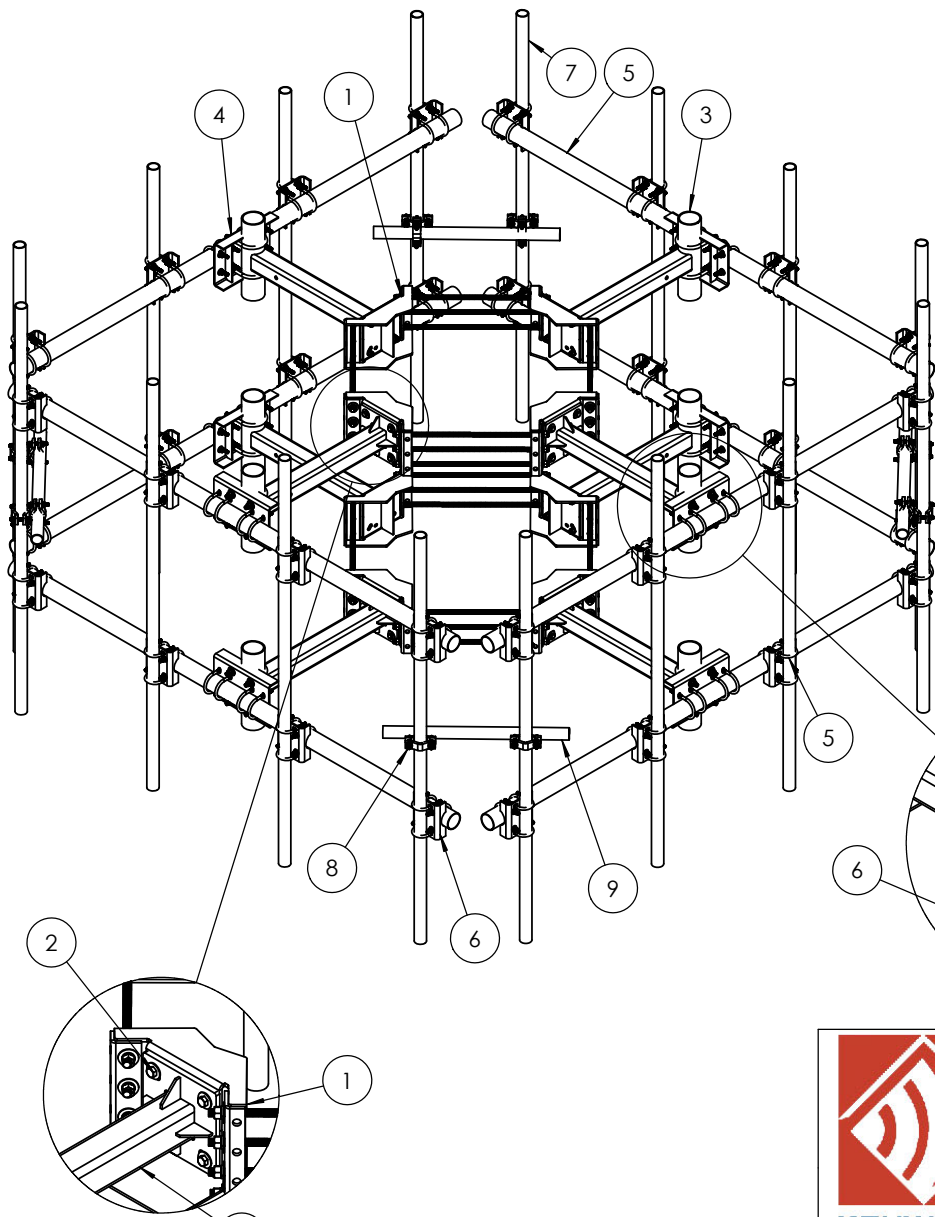


ITEM NO.	PART NUMBER	DESCRIPTION	QTY.
1	T1504KT40A	Quad Sector Ring Mount, 10"-40"	2
2	K1029KT214-4	5/8" x 2-1/4" A325 bolt kit (4 bolts)	8
3	K1350KT1HD	T-arm, 36" w/ hole, Heavy Duty	8
4	T1719KTA	Pipe frame hardware kit for T-arm	8
5	P1200KT10	3.50" OD Pipe, 10' Long	8
6	T1721KT1A	Pipe mount kit, channel 2-7/8" to 3-1/2"	32
7	P1090KT10	2-7/8" OD Pipe, 120" Long	16
8	K1004KT1	Crossover clamp kit, 2-3/8" x 2-3/8"	8
9	P1000KT3	Pipe, 2-3/8" O.D. x 3' L HDG	4



Mount Design Criteria: ANSI/TIA-222-H-2017 an TIA-5053



**KENWOOD TELECOM**  
 3431 Novis Pointe Acworth, Ga 30101  
 (770) 975-0500 office (770) 974-5100 fax

UNLESS OTHERWISE SPECIFIED:  
 DIMENSIONS ARE IN INCHES  
 TOLERANCES:  
 FRACTIONAL: ± 1/32  
 ANGULAR: ± 2°  
 ONE PLACE DECIMAL: ± .06  
 TWO PLACE DECIMAL: ± .03  
 THREE PLACE DECIMAL: ± .010  
 INTERPRET GEOMETRIC TOLERANCING PER:  
 MATERIAL:  
 FINISH:  
 DO NOT SCALE DRAWING

NAME	DATE
KAR	3/11/19
CHECKED	
ENG APPR.	
MFG APPR.	

**PROPRIETARY AND CONFIDENTIAL**  
 THE INFORMATION CONTAINED IN THIS DRAWING IS THE SOLE PROPERTY OF KENWOOD TELECOM. ANY REPRODUCTION IN PART OR AS A WHOLE WITHOUT THE WRITTEN PERMISSION OF KENWOOD TELECOM IS PROHIBITED.

TITLE: <b>36" Double T-Arm Assembly w/ (16) Pipes</b>	
SIZE	DWG. NO. <b>T1723KT236-163120</b>
SCALE: 1:24	FINISHED WEIGHT: 3350.0
SHEET 1 OF 1	