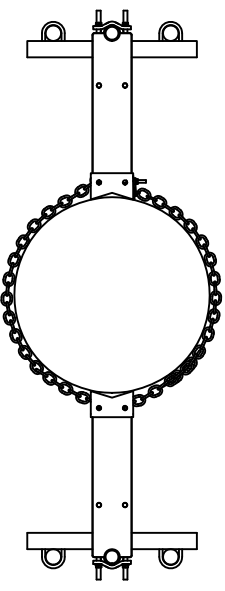
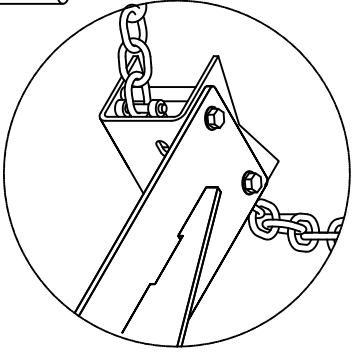
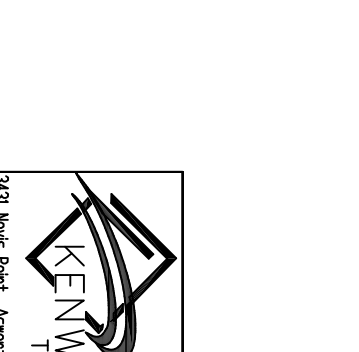
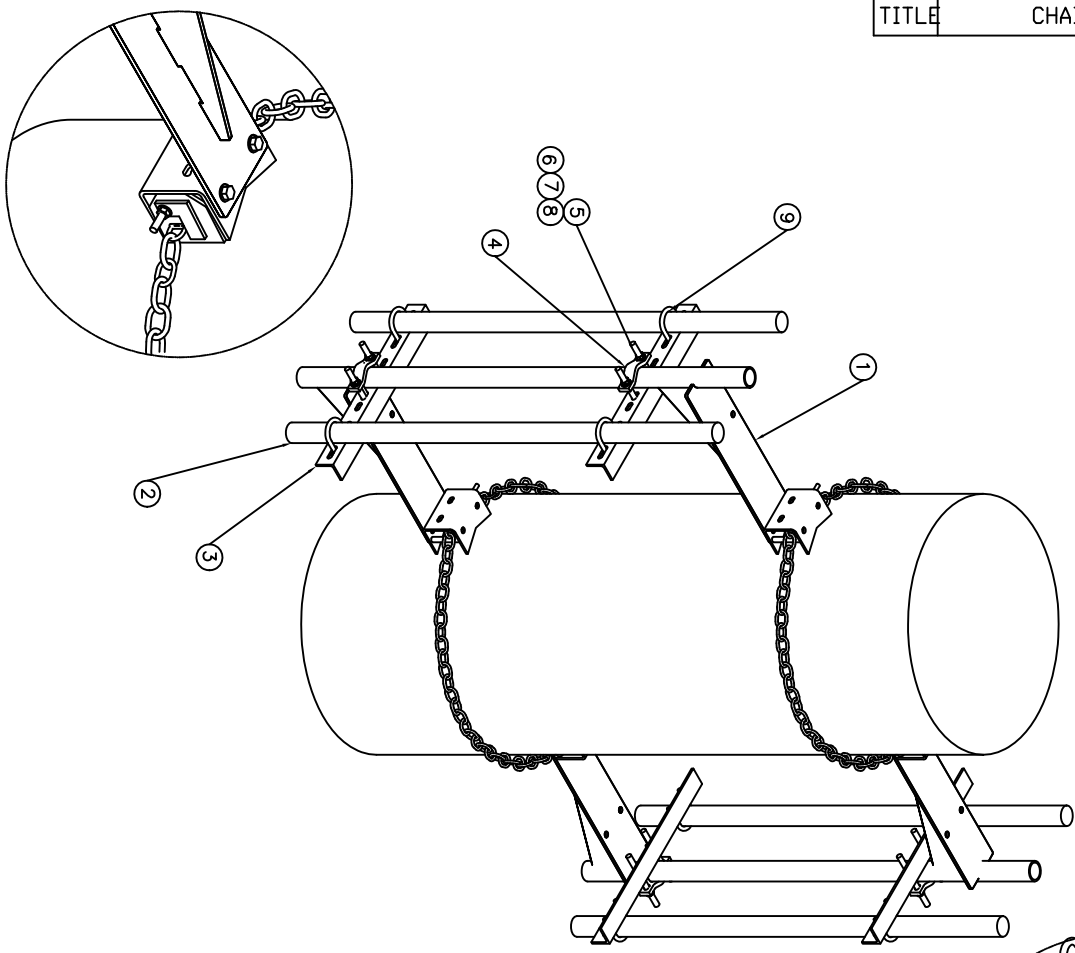


| | |
|-------|-------------|
| P/N | T1815KT |
| TITLE | CHAIN MOUNT |



| QTY | ITEM | PART NUMBER | DESCRIPTION |
|-----|------|---------------|-------------------------------------|
| 1 | 1 | T1815KT3 | Chain Mount |
| 4 | 2 | P1000KT7 | Pipe, 2-3/8" DD x 7' HDG |
| 4 | 3 | K1760KT-01 | Angle, 2.5" x 2.5" x 26' with Slots |
| 4 | 4 | K1000KT6 | Half Clamp |
| 8 | 5 | H1026KT4GA3 | Bolt, 1/4" x 4" HDG HH |
| 8 | 6 | H2002KT12GA3 | Hex Nut, 1/2" HDG |
| 16 | 7 | H3012KT12GSAE | Flat Washer, 1/2" HDG |
| 8 | 8 | H3002KT12G | Lock Washer, 1/2" HDG |
| 4 | 9 | K1809KT-02 | U-Bolt Kit, 2-3/8" (2 U-Bolts) |



3431 Nowis Point Acworth, GA 30001
 (888) 439-0500 (770) 974-5100 Fax

CHAIN MOUNT

| | | | |
|-------|----------|---------|------|
| DRAWN | DATE | CHECKED | DATE |
| KAJ | 12/12/09 | | |
| TITLE | | | |

| | | |
|--------------|-----|---------|
| DRAWING NO | REV | SHEET 1 |
| T1815KT2-484 | | DF 1 |