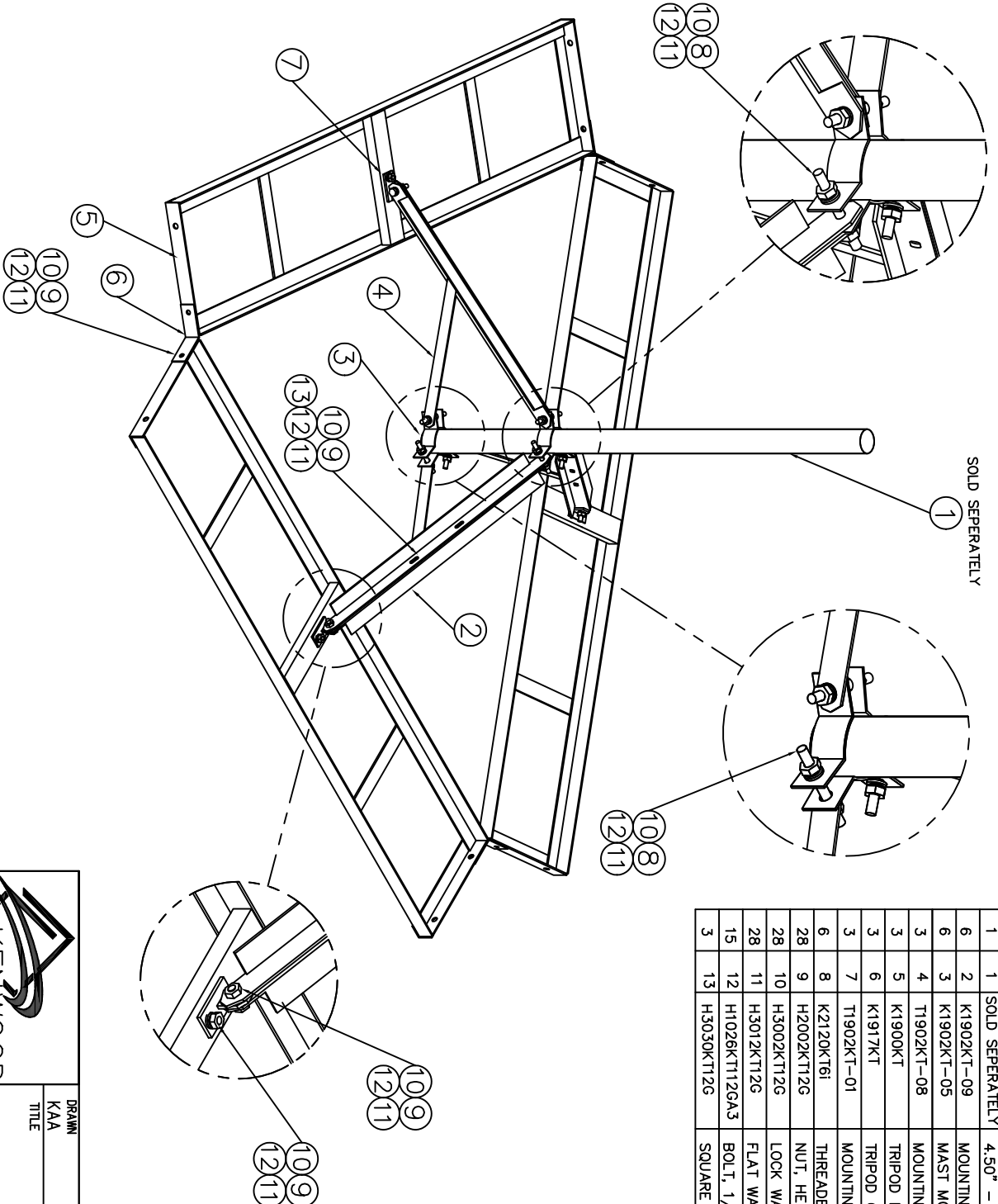


P/N

T1902KT-UH

TITLE

HEAVY DUTY TRIPOD MOUNT



| QTY | ITEM | PART NUMBER | DESCRIPTION |
|-----|------|-----------------|--|
| 1 | 1 | SOLD SEPERATELY | 4.50" - 2.375" MAST |
| 6 | 2 | K1902KT-09 | MOUNTING ANGLE |
| 6 | 3 | K1902KT-05 | MAST MOUNTING BRACKET |
| 3 | 4 | T1902KT-08 | MOUNTING BAR TRIPOD MOUNT |
| 3 | 5 | K1900KT | TRIPOD MOUNT |
| 3 | 6 | K1917KT | TRIPOD CONNECTOR |
| 3 | 7 | T1902KT-01 | MOUNTING PAD TRIPOD MOUNT |
| 6 | 8 | K2120KT6i | THREADED ROD 1/2" x 6", HDG |
| 28 | 9 | H2002KT12G | NUT, HEX 1/2" HDG |
| 28 | 10 | H3002KT12G | LOCK WASHER, 1/2" HDG |
| 28 | 11 | H3012KT12G | FLAT WASHER, 1/2" HDG |
| 15 | 12 | H1028KT112GA3 | BOLT, 1/2" x 1-1/2" (A325) HH HDG |
| 3 | 13 | H3030KT12G | SQUARE WASHER, 1/2", 1 HOLE 9/16", HDG |



KENWOOD
TELECOM

3431 Norris Point Acworth, GA 30101
(888) 439-0500 (770) 974-5100 fax

| | | | |
|-------------------------|---------|---------|---------|
| DRAWN | DATE | CHECKED | DATE |
| KAA | 5/26/04 | MAN | 8/3/05 |
| TITLE | | | |
| HEAVY DUTY TRIPOD MOUNT | | | |
| DRAWING NO | | | REV |
| T1902KT-UH | | | SHEET 1 |
| | | | OF 1 |