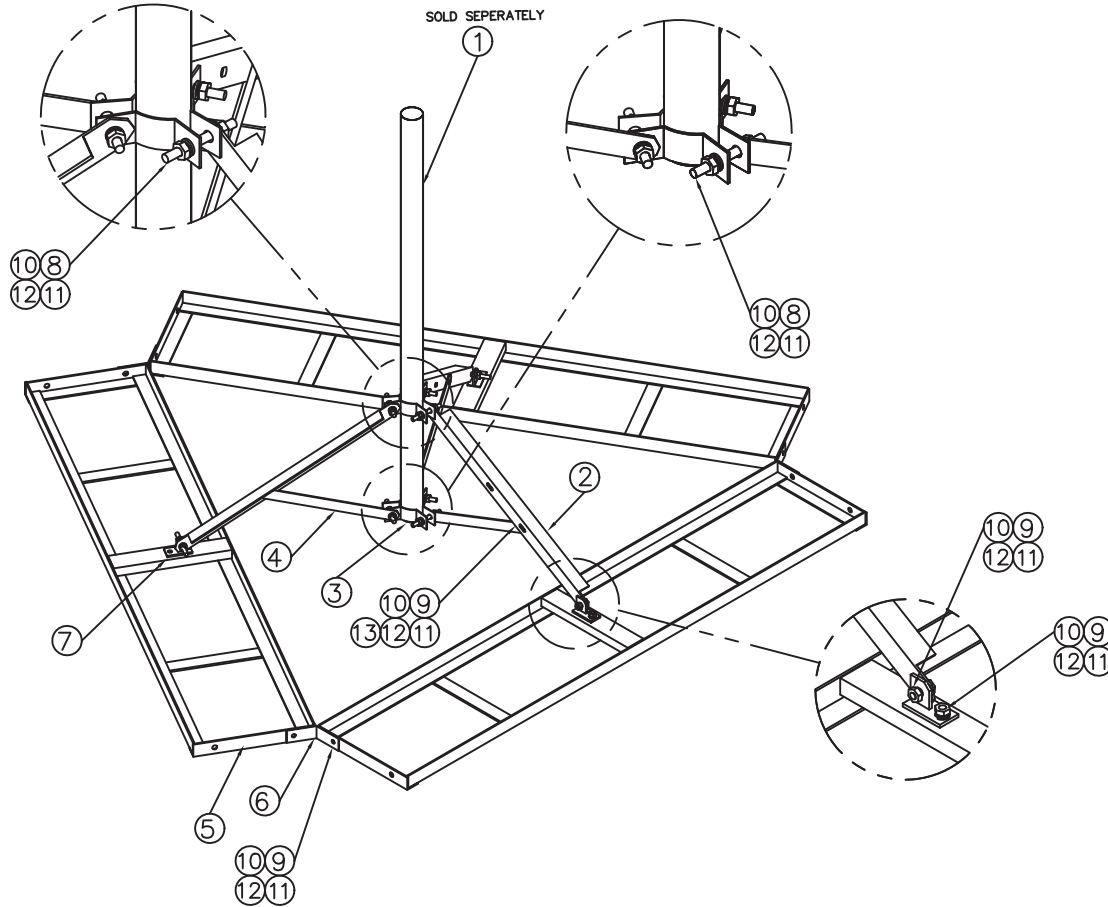


T1902KT-U

TRIPOD MOUNT

P/N

TITLE



QTY	ITEM	PART NUMBER	DESCRIPTION
1	1	SOLD SEPERATELY	4.50" - 2.375" MAST
3	2	K1902KT-09	MOUNTING ANGLE
6	3	K1902KT-05	MAST MOUNTING BRACKET
3	4	T1902KT-08	MOUNTING BAR TRIPOD MOUNT
3	5	K1900KT	TRIPOD MOUNT
3	6	K1917KT	TRIPOD CONNECTOR
3	7	T1902KT-01	MOUNTING PAD TRIPOD MOUNT
6	8	K2120KT6i	THREADED ROD 1/2" x 6", HDG
28	9	H2002KT12G	NUT, HEX 1/2" HDG
28	10	H3002KT12G	LOCK WASHER, 1/2" HDG
28	11	H3012KT12G	FLAT WASHER, 1/2" HDG
15	12	H1026KT112GA3	BOLT, 1/2" x 1-1/2" (A325) HH HDG
3	13	H3030KT12G	SQUARE WASHER, 1/2", 1 HOLE 9/16", HDG

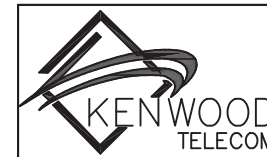
T1902KT-U EPA RATING

Mount will support a maximum EPA of 9.2 ft² at a windspeed of 150mph (3-sec gust, exposure C) at a height above ground (AGL) of 200 ft. IAW ANSI/TIA-222-G. Centerline of antenna is a maximum of 8-ft above the roof surface.

BALLAST FORMULA

$W = (0.147 (P)(H)) - 83$ (1.25 factor of safety for overturning)
 $W = (0.176 (P)(H)) - 83$ (1.50 factor of safety for overturning)
 Where W = required ballast per tray (three trays per mount) (lbs)
 P = wind load of antenna (lbs)
 H = distance from center of antenna to roof surface (ft)

The total ballast weight required is $3 \times W$.



3431 Novis Point Acworth, GA 30101
(888) 439-0500 (770) 974-5100 fax

DRAWN	DATE	CHECKED	DATE
KAA	5/26/04	MJN	8/3/05
TITLE			
TRIPOD MOUNT			
DRAWING NO			REV
T1902KT-U			SHEET 1 OF 1