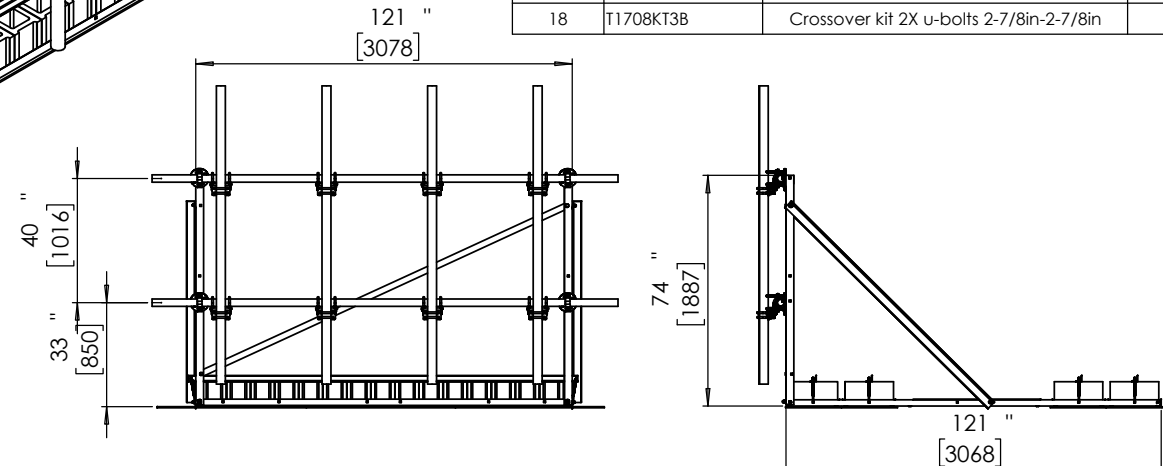


ITEM NO.	PART NUMBER	DESCRIPTION	QTY.
1	K1910KT-01	Kicker/Base Angle	10
2	K1910KT-02	Kicker/Base Angle	1
3	K1910KT-03	Kicker/Base Angle	5
4	K7941KT4-2	U-bolt kit, 2-3/8" OD pipe, (2 U-bolt)	4
5	H3012KT38G	Flat Washer, 3/8", HDG	8
6	H3002KT38G	Lock Washer, 3/8", HDG	8
7	H2002KT38G	Nut, hex heavy 3/8", HDG	8
8	H1026KT114CB	1/2" x 1-1/4" Carriage Bolt	33
9	H3012KT12GSAE	Flat washer, hardened, 1/2", SAE, HDG	33
10	H2002KT12GA3	Nut, hex heavy 1/2" HDG A325	33
11	H3002KT12G	Lock washer, 1/2" HDG	33
12	K9925KT	J-bolt, 3/8", 8"long w/6-1/2" threads	8
13	T9950KT	Rubber Mat, 18" x 48"	12
14	K1915KT-01	Vertical Angle	2
15	K1915KT-04	Side Kicker Angle	2
16	P1000KT12.5	2-3/8" OD Pipe, 150" Long	2
17	K1004KT6	Adjust Angle Xover Kit, 1-1/2"-3-1/2" OD	4
18	T1708KT3B	Crossover kit 2X u-bolts 2-7/8in-2-7/8in	4



UNLESS OTHERWISE SPECIFIED: DIMENSIONS ARE IN INCHES TOLERANCES: FRACTIONAL: ± 1/32 ANGULAR: ± 2° ONE PLACE DECIMAL: ± .06 TWO PLACE DECIMAL: ± .03 THREE PLACE DECIMAL: ± .010		NAME	DATE
INTERPRET GEOMETRIC TOLERANCING PER:		DRAWN	KAR
MATERIAL		CHECKED	
FINISH		ENG APPR.	
DO NOT SCALE DRAWING		MFG APPR.	
PROPRIETARY AND CONFIDENTIAL THE INFORMATION CONTAINED IN THIS DRAWING IS THE SOLE PROPERTY OF KENWOOD TELECOM. ANY REPRODUCTION IN PART OR AS A WHOLE WITHOUT THE WRITTEN PERMISSION OF KENWOOD TELECOM IS PROHIBITED.			

KENWOOD TELECOM

TITLE:
**Rooftop Mount, 10' x 10',
12' Pipe Face**

SIZE B	DWG. NO. T1910KTP12	REV
SCALE: 1:25 FINISHED WEIGHT: 601.02		SHEET 1 OF 1