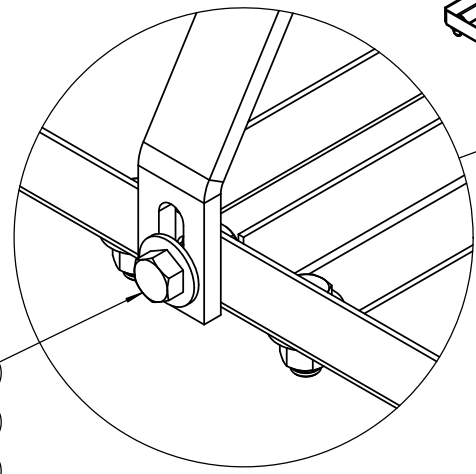
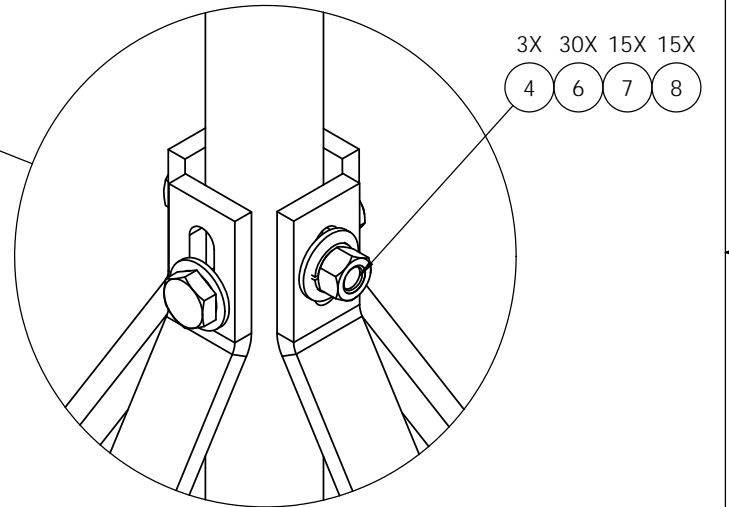
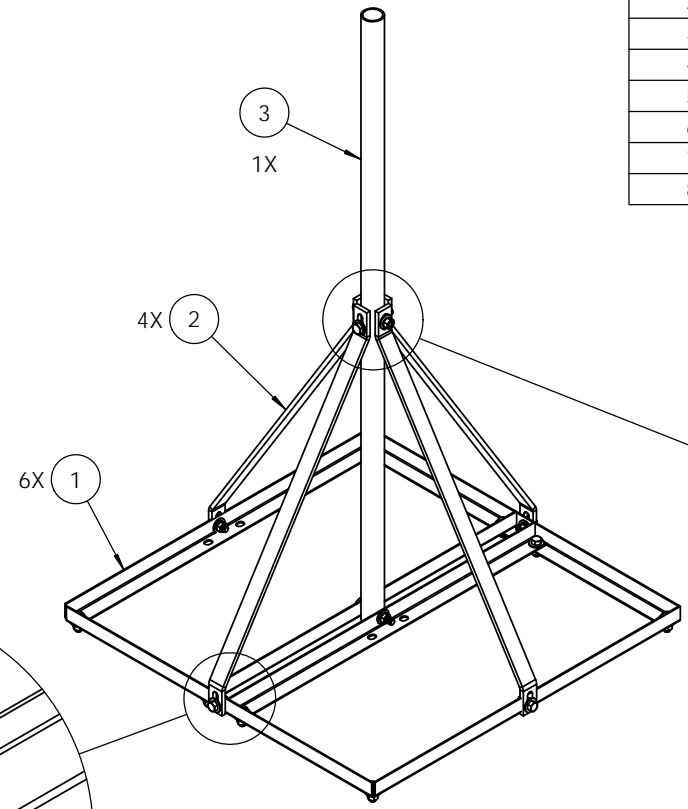




ITEM NO.	PART NUMBER	DESCRIPTION	QTY.
1	K1914KT-01	Tripod mount support angle	6
2	K1914KT-03	Tripod mount support brace	4
3	K1914KT-02	Tripod mount vertical pipe	1
4	H1026KT312GA3	Bolt, 1/2"x3-1/2" (A325)hh hdg	3
5	H1026KT114GA3	Bolt, 1/2" x 1-1/4" GALV	12
6	H3012KT12GSAE	Flat washer, 1/2", SAE (A325), HDG	30
7	H3002KT12G	Lock washer, 1/2" HDG	15
8	H2002KT12GA3	Nut, 1/2" HH, HDG (A325)	15



- 12X (5)
- 24X (6)
- 12X (7)
- 12X (8)

DETAIL B
SCALE 1 : 2

DETAIL A
SCALE 1 : 2

 KENWOOD TELECOM <small>3431 Novis Pointe Acworth, Ga 30101 (770) 975-0500 office, (770) 974-5100 fax</small>	UNLESS OTHERWISE SPECIFIED: DIMENSIONS ARE IN INCHES TOLERANCES: FRACTIONAL: ± 1/32 ANGULAR: ± 2° ONE PLACE DECIMAL: ± .06 TWO PLACE DECIMAL: ± .03 THREE PLACE DECIMAL: ± .010	NAME: KAR DATE: 11/25/15	 KENWOOD TELECOM TITLE: Non-Pen Small Footprint Tripod Mount 1.9" OD x 60"	
	INTERPRET GEOMETRIC TOLERANCING PER: MATERIAL: FINISH: DO NOT SCALE DRAWING	CHECKED: ENG APPR.: MFG APPR.:		PROPRIETARY AND CONFIDENTIAL THE INFORMATION CONTAINED IN THIS DRAWING IS THE SOLE PROPERTY OF KENWOOD TELECOM. ANY REPRODUCTION IN PART OR AS A WHOLE WITHOUT THE WRITTEN PERMISSION OF KENWOOD TELECOM IS PROHIBITED.
		SIZE: B	DWG. NO.: T1914KT	REV:
		SCALE: 1:20 FINISHED WEIGHT: 58.29		SHEET 1 OF 1