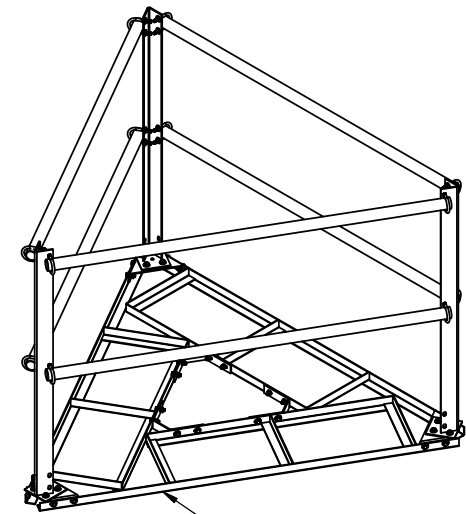
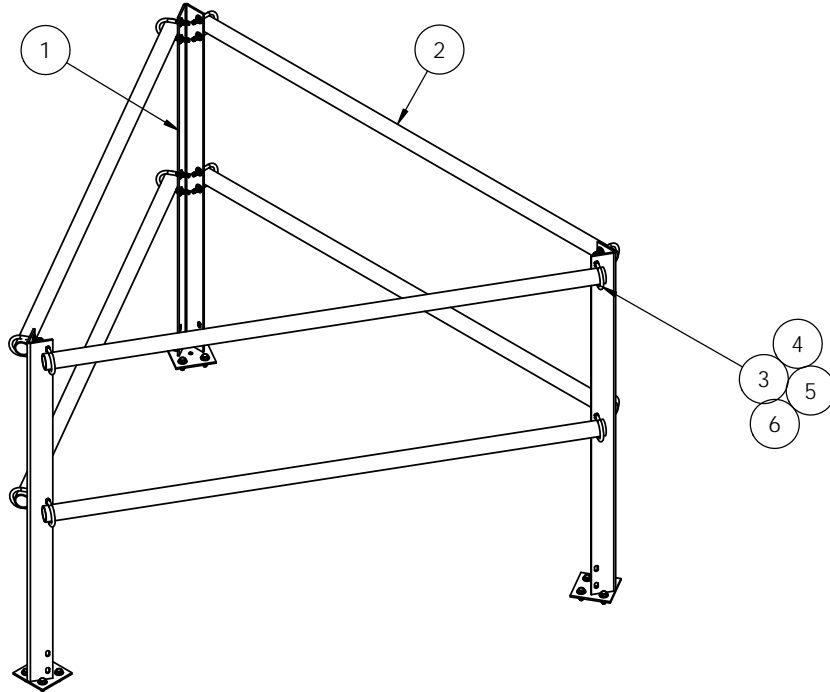


ITEM NO.	PART NUMBER	DESCRIPTION	QTY.
1	K1920MT	Universal Leg for T1920MT	3
2	P1000KT7	2-3/8" OD Pipe, 84" Long	6
3	H7941KT4	U-Bolt, 1/2-13; 4" Lng; 2-1/2"IL x 2" Thd; HDG	12
4	H1026KT112GA3	Bolt, 1/2"x1-1/2" (A325) HH HDG	12
5	H3012KT12GSAE	Flat washer, hardened, 1/2", SAE, HDG	36
6	H3002KT12G	Lock washer, 1/2" HDG	36
7	H2002KT12G	Nut, Hex 1/2" HDG	12



T1928KT
Sold Separately



3421 Novia Point, Suwanee, GA 30101
(866) 438-0500 (770) 974-5100 fax

PROPRIETARY AND CONFIDENTIAL
THE INFORMATION CONTAINED IN THIS DRAWING IS THE SOLE PROPERTY OF KENWOOD TELECOM. ANY REPRODUCTION IN PART OR AS A WHOLE WITHOUT THE WRITTEN PERMISSION OF KENWOOD TELECOM IS PROHIBITED.

UNLESS OTHERWISE SPECIFIED:
DIMENSIONS ARE IN INCHES
TOLERANCES:
FRACTIONAL: ± 1/32
ANGULAR: ± 2°
ONE PLACE DECIMAL: ± .06
TWO PLACE DECIMAL: ± .03
THREE PLACE DECIMAL: ± .010
INTERPRET GEOMETRIC TOLERANCING PER:
MATERIAL:
FINISH:
DO NOT SCALE DRAWING

NAME	DATE
DRAWN: KAR	9/9/14
CHECKED:	
ENG APPR.:	
MFG APPR.:	
Q.A.:	
COMMENTS:	

KENWOOD TELECOM		
TITLE: Multi sector roof frame, 7' face		
SIZE B	DWG. NO. T1927KT10	REV
SCALE: 1:25 FINISHED WEIGHT: 261.18		SHEET 1 OF 1