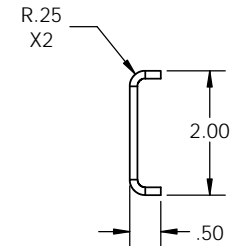
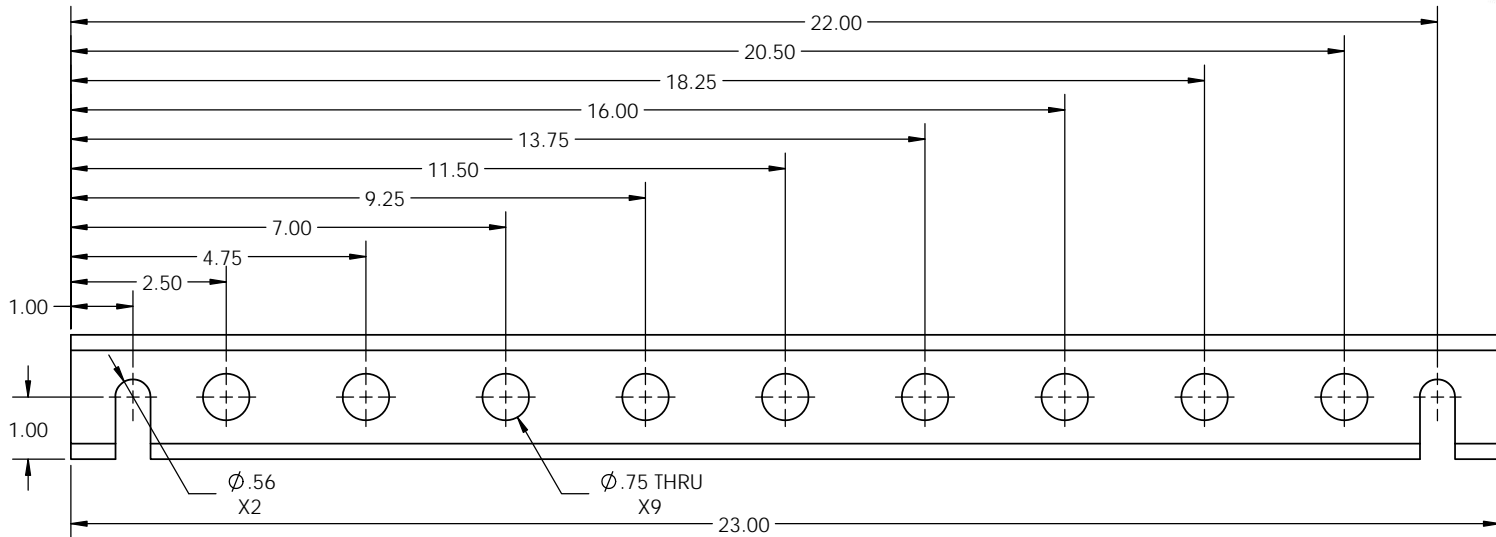
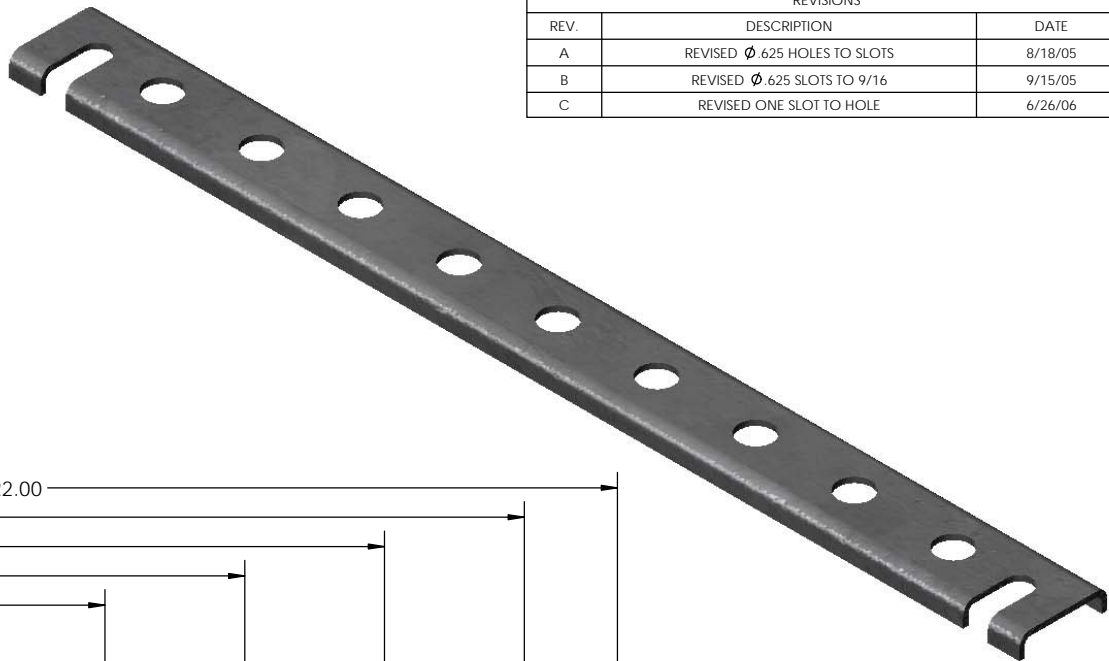


REVISIONS		
REV.	DESCRIPTION	DATE
A	REVISED $\phi$ .625 HOLES TO SLOTS	8/18/05
B	REVISED $\phi$ .625 SLOTS TO 9/16	9/15/05
C	REVISED ONE SLOT TO HOLE	6/26/06



**KENWOOD TELECOM**  
 3471 Newis Park, Acworth, GA 30001  
 (800) 399-0900 (770) 974-7000 fax

**PROPRIETARY AND CONFIDENTIAL**  
 THE INFORMATION CONTAINED IN THIS DRAWING IS THE SOLE PROPERTY OF KENWOOD TELECOM. ANY REPRODUCTION IN PART OR AS A WHOLE WITHOUT THE WRITTEN PERMISSION OF KENWOOD TELECOM IS PROHIBITED.

UNLESS OTHERWISE SPECIFIED:		NAME	DATE
DIMENSIONS ARE IN INCHES		PQ	2/13/15
TOLERANCES:			
FRACTIONAL: $\pm$ 1/32			
ANGULAR: $\pm$ 2°			
ONE PLACE DECIMAL: $\pm$ .06			
TWO PLACE DECIMAL: $\pm$ .03			
THREE PLACE DECIMAL: $\pm$ .010			
INTERPRET GEOMETRIC TOLERANCING PER:			
MATERIAL:			
FINISH:			
NEXT ASSY	USED ON		
APPLICATION			
DO NOT SCALE DRAWING			

DRAWN	
CHECKED	
ENG APPR.	
MFG APPR.	
Q.A.	
COMMENTS:	

**KENWOOD TELECOM**  
 TITLE: Channel w/9 - 3/4" holes and 2 -  $\phi$ .56 Slots  
 SIZE **B** DWG. NO. **T3100KT23** REV **C**  
 SCALE: 1:2 WEIGHT: SHEET 1 OF 1