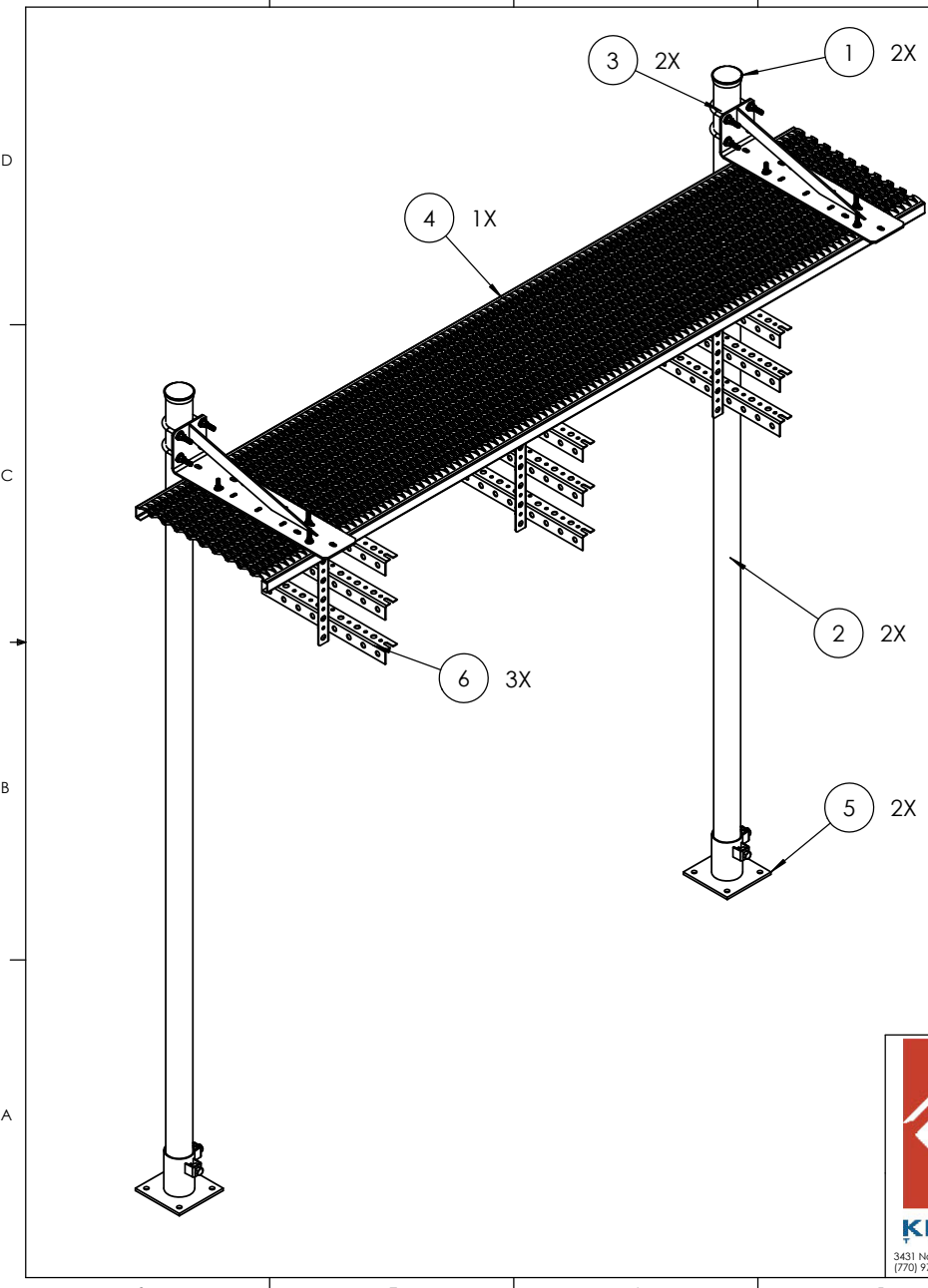
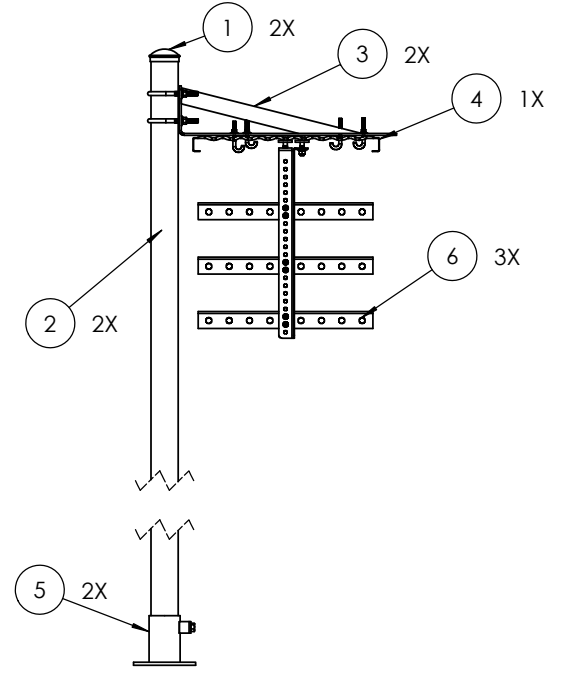


8 7 6 5 4 3 2 1



ITEM NO.	PART NUMBER	DESCRIPTION	QTY.
1	P8000KT3.5	Pipe cap for 3.5" OD pipe, HDG	2
2	P1200KT10.5	3.50" OD Pipe, 126" Long	2
3	T3411KTA	Icebridge Sprrt Brkt (horsehead), 24"kit	2
4	T3900KT10	GRIPSTRUT, 2" x 24 x 10' ,14 gauge	1
5	P8810KTA	Pipe shoe for 3.5" Pipe	2
6	T3803KT3	Center mount trapeze kit, 3-lev/24" wide	3



UNLESS OTHERWISE SPECIFIED:
DIMENSIONS ARE IN INCHES
TOLERANCES:
FRACTIONAL: ± 1/32
ANGULAR: ± 2°
ONE PLACE DECIMAL: ± .06
TWO PLACE DECIMAL: ± .03
THREE PLACE DECIMAL: ± .010

INTERPRET GEOMETRIC TOLERANCING PER:

MATERIAL

FINISH

DO NOT SCALE DRAWING

NAME DATE
DRAWN KAR 9/25/24
CHECKED
ENG APPR.
MFG APPR.

PROPRIETARY AND CONFIDENTIAL

THE INFORMATION CONTAINED IN THIS DRAWING IS THE SOLE PROPERTY OF KENWOOD TELECOM. ANY REPRODUCTION IN PART OR AS A WHOLE WITHOUT THE WRITTEN PERMISSION OF KENWOOD TELECOM IS PROHIBITED.

KENWOOD TELECOM

TITLE:
Icebridge Kit. GRATING: 24" x 10',
POSTS: (2) 3-1/2" o.d.x 10-1/2', with
pipe shoes. Center Trapeze kits

SIZE DWG. NO. REV
T3424KT10-3CS -

SCALE: 1:16 FINISHED WEIGHT: SHEET 1 OF 1

8 7 6 5 4 3 2 1