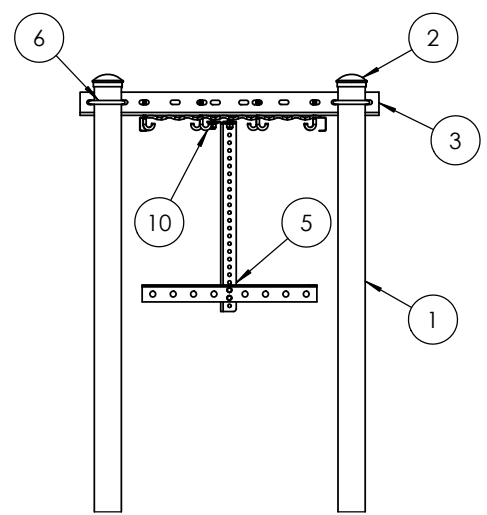


ITEM NO.	PART NUMBER	DESCRIPTION	QTY.
1	P1200KT14	3.50" OD Pipe, 168" Long	4
2	P8000KT3.5	Pipe cap for 3.5" OD pipe, HDG	4
3	K3415KT24	Support Angle, 24"	2
4	T3900KT10	GRIPSTRUT, 2" x 24 x 10", 14 gauge	1
5	T3803KT1	Center mount trapeze kit, 1-lev/24" wide	3
6	H7942KT6	U-Bolt, 1/2-13; 6" Lng; 3.625" IL; 3" thd; HDG	4
7	H3012KT12GSAE	Flat washer, hardened, 1/2", SAE, HDG	8
8	H3002KT12G	Lock washer, 1/2" HDG	8
9	H2002KT12G	Nut, Hex 1/2" HDG	8
10	K9925KT	J-Bolt, 3/8", 8" long w/ 6-1/2" threads	8
11	H3012KT38G	Flat Washer, 3/8", HDG	8
12	H3002KT38G	Lock Washer, 3/8", HDG	8
13	H2002KT38G	Nut, hex heavy 3/8", HDG	8



UNLESS OTHERWISE SPECIFIED:  
DIMENSIONS ARE IN INCHES  
TOLERANCES:  
FRACTIONAL: ± 1/32  
ANGULAR: ± 2°  
ONE PLACE DECIMAL: ± .06  
TWO PLACE DECIMAL: ± .03  
THREE PLACE DECIMAL: ± .010

INTERPRET GEOMETRIC TOLERANCING PER:

MATERIAL

FINISH

DO NOT SCALE DRAWING

NAME DATE  
KAR 12/21/23

CHECKED

ENG APPR.

MFG APPR.

**PROPRIETARY AND CONFIDENTIAL**

THE INFORMATION CONTAINED IN THIS DRAWING IS THE SOLE PROPERTY OF KENWOOD TELECOM. ANY REPRODUCTION IN PART OR AS A WHOLE WITHOUT THE WRITTEN PERMISSION OF KENWOOD TELECOM IS PROHIBITED.

**KENWOOD TELECOM**

TITLE:  
Icebridge Kit. GRATING: 24" x 14ft,  
POSTS: (4) 3-1/2in o.d.x 14ft, direct burial.  
TRAPEZE: (3) Center type, 1-level.

SIZE	DWG. NO.	REV
SCALE: 1:16	FINISHED WEIGHT:	SHEET 1 OF 1

**T3425KT14-1C**