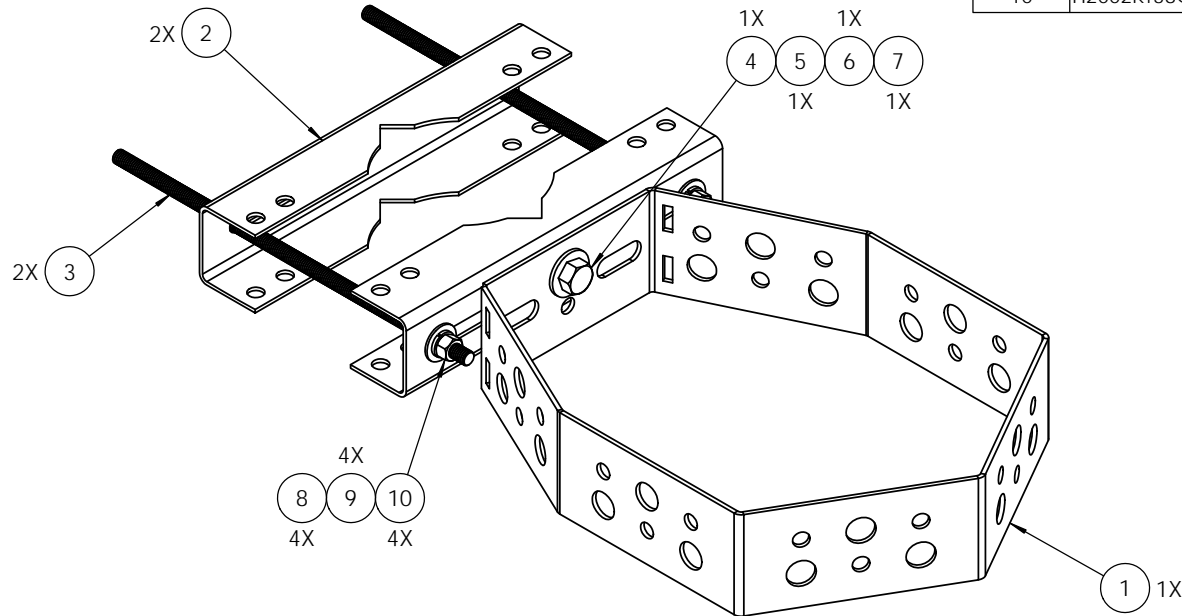


ITEM NO.	PART NUMBER	DESCRIPTION	QTY.
1	T9413KT	Cluster Support Bracket, Lg 18 Ins	1
2	K2000KT	Small leg clamp for Tee bracket	2
3	K2020KT12i	Threaded rod 3/8" x 3', SS	2
4	H1026KT114GA3	Bolt, 1/2" x 1-1/4" GALV	1
5	H3012KT12G	Flat washer, 1/2", HDG	1
6	H3002KT12G	Lock washer, 1/2" HDG	1
7	H2002KT12G	Nut, Hex 1/2" HDG	1
8	H3012KT38G	Flat Washer, 3/8", HDG	4
9	H3002KT38G	Lock Washer, 3/8", HDG	4
10	H2002KT38G	Nut, hex heavy 3/8", HDG	4



KENWOOD TELECOM
 3431 Newis Park, Acworth, GA 30201
 (800) 399-0900 (770) 974-7000 fax

PROPRIETARY AND CONFIDENTIAL
 THE INFORMATION CONTAINED IN THIS DRAWING IS THE SOLE PROPERTY OF KENWOOD TELECOM. ANY REPRODUCTION IN PART OR AS A WHOLE WITHOUT THE WRITTEN PERMISSION OF KENWOOD TELECOM IS PROHIBITED.

		UNLESS OTHERWISE SPECIFIED:		NAME	DATE	KENWOOD TELECOM
		DIMENSIONS ARE IN INCHES		PQ	11/11/14	
		TOLERANCES:		DRAWN		TITLE: Cluster Support Bracket, Large/ 2-5" Leg
		FRACTIONAL: ± 1/32		CHECKED		
		ANGULAR: ± 2°		ENG APPR.		
		ONE PLACE DECIMAL: ± .06		MFG APPR.		
		TWO PLACE DECIMAL: ± .03		Q.A.		SIZE DWG. NO. REV
		THREE PLACE DECIMAL: ± .010		COMMENTS:		B T9421KTA
		INTERPRET GEOMETRIC TOLERANCING PER:				SCALE: 1:3 WEIGHT: SHEET 1 OF 1
		MATERIAL:				
		FINISH:				
NEXT ASSY	USED ON	DO NOT SCALE DRAWING				