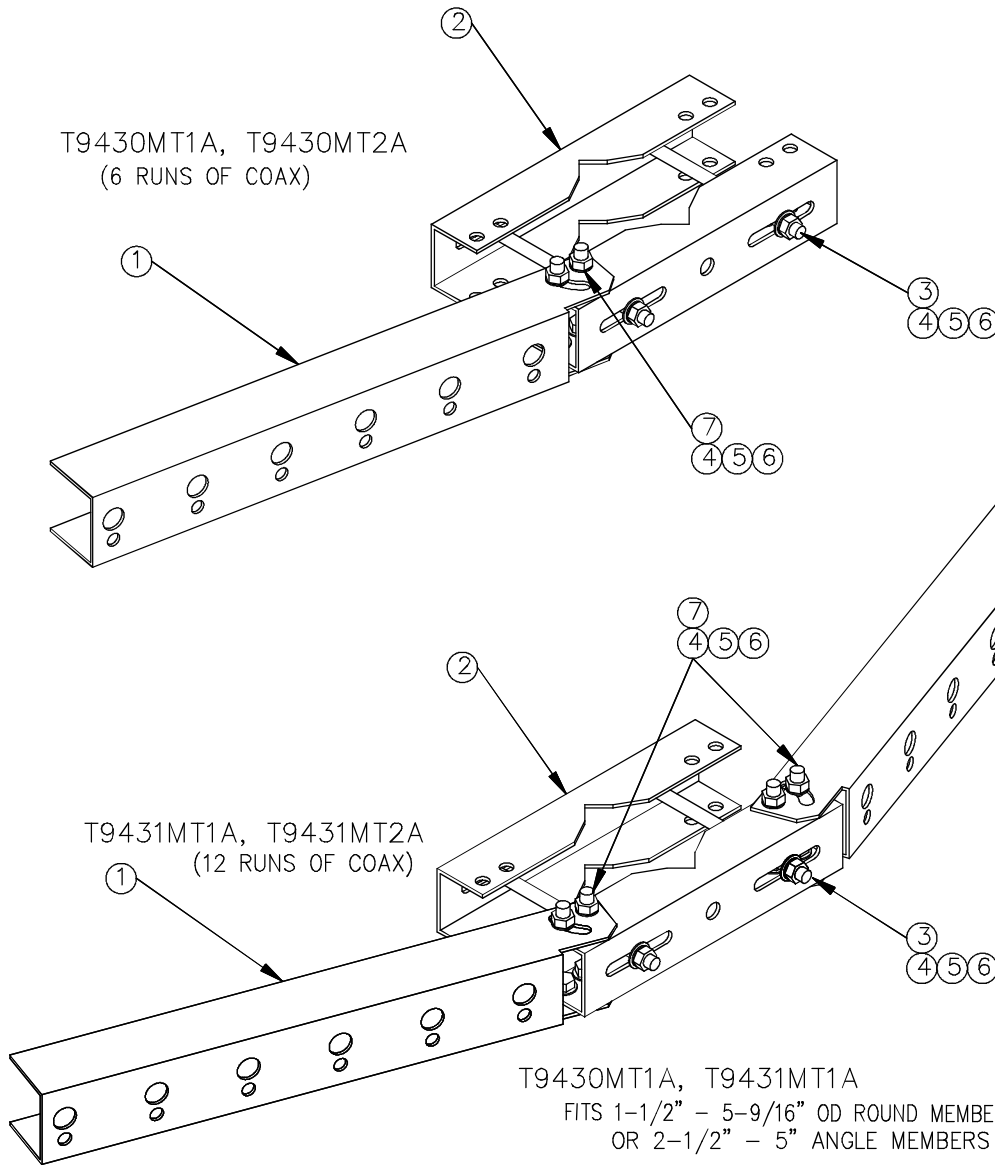


T9430MT SERIES, T9431MT SERIES

UNIVERSAL FACE BRACKET

P/N

TITLE



T9430MT1A, T9430MT2A
(6 RUNS OF COAX)

T9431MT1A, T9431MT2A
(12 RUNS OF COAX)

T9430MT1A, T9431MT1A
FITS 1-1/2" - 5-9/16" OD ROUND MEMBERS
OR 2-1/2" - 5" ANGLE MEMBERS

T9430MT2A, T9431MT2A
FITS 6" - 10-3/4" OD ROUND MEMBERS
OR 6" - 8" ANGLE MEMBERS

T9430MT1A

QTY	ITEM	PART NUMBER	DESCRIPTION
1	1	K9432MT1	SINGLE FACE BRACKET
2	2	K2000KT	LEG CLAMP (SMALL)
2	3	K2020KT10i	THREADED ROD, 3/8" X 10"
8	4	H2002KT38G	3/8" HEX NUTS HDG
8	5	H3002KT38G	3/8" LOCK WASHERS HDG
8	6	H3012KT38G	3/8" FLAT WASHERS HDG
4	7	H1028KT1G5	3/8" X 1" BOLT HH GRADE 5 HDG

T9430MT2A

QTY	ITEM	PART NUMBER	DESCRIPTION
1	1	K9432MT1	SINGLE FACE BRACKET
2	2	K2000KT6-8	LEG CLAMP (LARGE)
2	3	K2020KT14i	THREADED ROD, 3/8" X 14"
8	4	H2002KT38G	3/8" HEX NUTS
8	5	H3002KT38G	3/8" LOCK WASHERS
8	6	H3012KT38G	3/8" FLAT WASHERS
4	7	H1028KT1G5	3/8" X 1" BOLT

T9431MT1A

QTY	ITEM	PART NUMBER	DESCRIPTION
2	1	K9432MT1	SINGLE FACE BRACKET
2	2	K2000KT	LEG CLAMP (SMALL)
2	3	K2020KT10i	THREADED ROD, 3/8" X 10"
14	4	H2002KT38G	3/8" HEX NUTS HDG
14	5	H3002KT38G	3/8" LOCK WASHERS HDG
14	6	H3012KT38G	3/8" FLAT WASHERS HDG
8	7	H1028KT1G5	3/8" X 1" BOLT HH GRADE 5 HDG

T9431MT2A

QTY	ITEM	PART NUMBER	DESCRIPTION
2	1	K9432MT1	SINGLE FACE BRACKET
2	2	K2000KT6-8	LEG CLAMP (LARGE)
2	3	K2020KT14i	THREADED ROD, 3/8" X 14"
14	4	H2002KT38G	3/8" HEX NUTS
14	5	H3002KT38G	3/8" LOCK WASHERS
14	6	H3012KT38G	3/8" FLAT WASHERS
8	7	H1028KT1G5	3/8" X 1" BOLT



DRAWN KAA	DATE 3/6/05	CHECKED	DATE
TITLE UNIVERSAL FACE BRACKET T9430MT1A-T9430MT2A SINGLE FACE BRACKET T9431MT1A-T9431MT2A DOUBLE FACE BRACKET			
DRAWING NO T9430MT SERIES, T9431MT SERIES			REV SHEET 1 OF 1