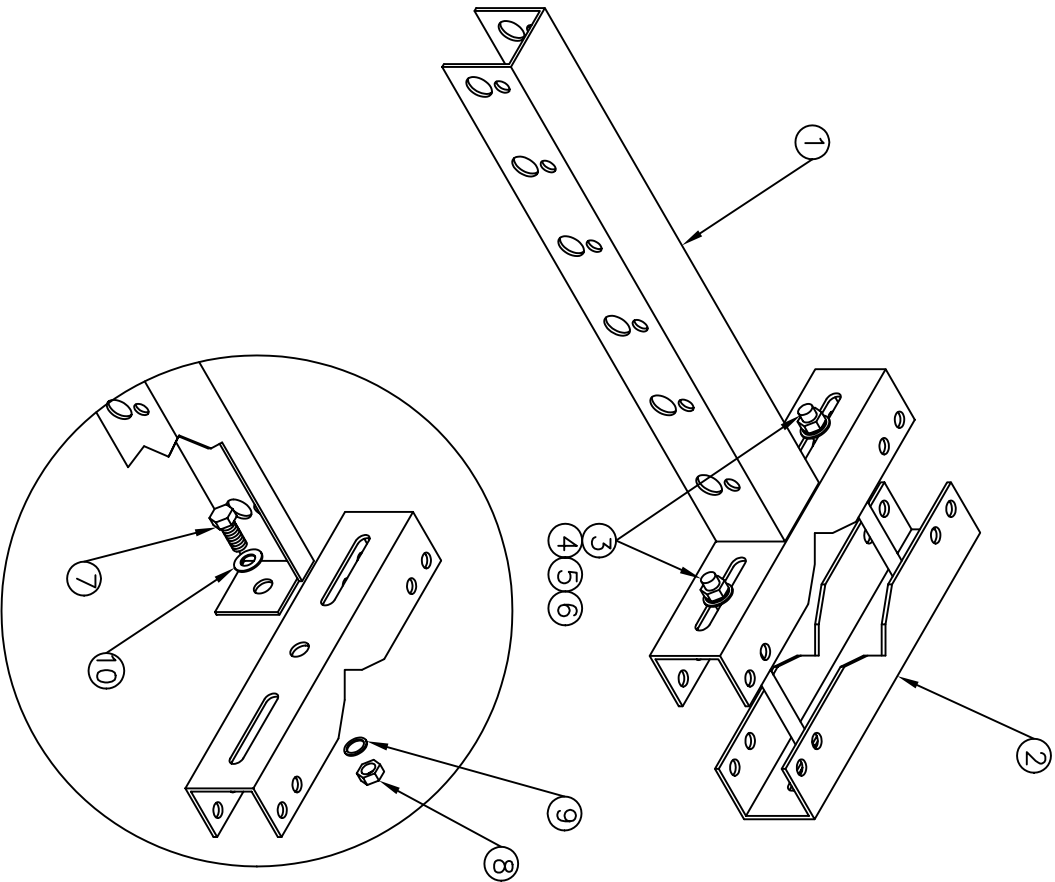


P/N	T9433MT SERIES
TITLE	UNIVERSAL T-BRACKET




QTY	ITEM	PART NUMBER	DESCRIPTION
1	1	K9433KT1	T-BRACKET
2	2	K2000KT	LEG CLAMP (SMALL)
2	3	K2020KT10I	THREADED ROD, 3/8" X 10"
6	4	H2002KT38G	3/8" HEX NUTS HDG
4	5	H3002KT38G	3/8" LOCK WASHERS HDG
6	6	H3012KT38G	3/8" FLAT WASHERS HDG
1	7	H1026KT112G5	BOLT-1/2" x 1-1/2" HEX GRADE 5
1	8	H2002KT12G	1/2" HEX NUT HDG
1	9	H3002KT12G	1/2" LOCK WASHER HDG
1	10	H3012KT12G	1/2" FLAT WASHER HDG

QTY	ITEM	PART NUMBER	DESCRIPTION
1	1	K9433MT1	T-BRACKET
2	2	K2000KT6-8	LEG CLAMP (LARGE)
2	3	K2020KT14I	THREADED ROD, 3/8" X 14"
6	4	H2002KT38G	3/8" HEX NUTS HDG
4	5	H3002KT38G	3/8" LOCK WASHERS HDG
6	6	H3012KT38G	3/8" FLAT WASHERS HDG
1	7	H1028KT1G	BOLT-1/2" x 1-1/2" HEX GRADE 5
1	8	H2002KT12G	1/2" HEX NUT HDG
1	9	H3002KT12G	1/2" LOCK WASHER HDG
1	10	H3012KT12G	1/2" FLAT WASHER HDG

T9433MT2A  
 FITS 1-1/2" - 5-9/16" OD ROUND MEMBERS  
 OR 2-1/2" - 5" ANGLE MEMBERS

T9433MT3A  
 FITS 6" - 10-3/4" OD ROUND MEMBERS  
 OR 6" - 8" ANGLE MEMBERS



3431 Notts Point Acworth, GA 30101  
 (888) 439-0500 (770) 974-5100 fax

UNIVERSAL T-BRACKET

DRAWING NO. T9433MT SERIES

REV. SHEET 1 OF 1

DRAWN	DATE	CHECKED	DATE
KAJ	3/6/05		