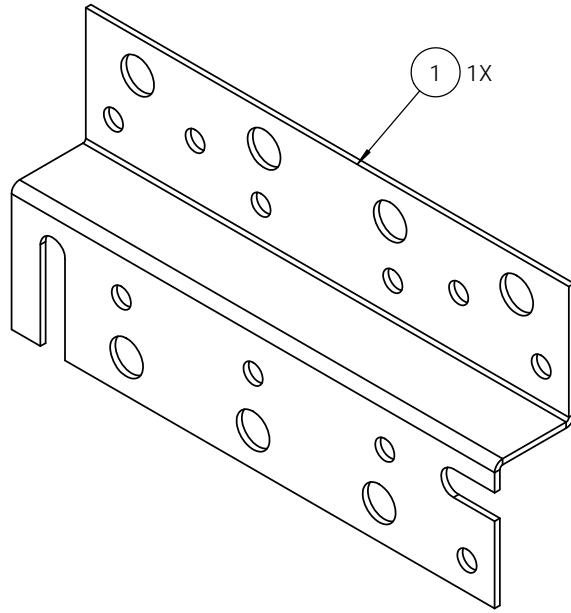


ITEM NO.	PART NUMBER	DESCRIPTION	QTY.
1	T9451MT12	Horiz Z-Bracket, 12"X 7 runs, 1/2" hole	1



**KENWOOD TELECOM**  
 3471 New's Pointe, Acworth, GA 30201  
 (800) 399-0900 (770) 974-7000 fax

**PROPRIETARY AND CONFIDENTIAL**  
 THE INFORMATION CONTAINED IN THIS DRAWING IS THE SOLE PROPERTY OF KENWOOD TELECOM. ANY REPRODUCTION IN PART OR AS A WHOLE WITHOUT THE WRITTEN PERMISSION OF KENWOOD TELECOM IS PROHIBITED.

		UNLESS OTHERWISE SPECIFIED:
		DIMENSIONS ARE IN INCHES
		TOLERANCES:
		FRACTIONAL: ± 1/32
		ANGULAR: ± 2°
		ONE PLACE DECIMAL: ± .06
		TWO PLACE DECIMAL: ± .03
		THREE PLACE DECIMAL: ± .010
		INTERPRET GEOMETRIC TOLERANCING PER:
		MATERIAL:
		FINISH:
NEXT ASSY	USED ON	
APPLICATION		DO NOT SCALE DRAWING

NAME	DATE
DRAWN PQ	11/10/14
CHECKED	
ENG APPR.	
MFG APPR.	
Q.A.	
COMMENTS:	

**KENWOOD TELECOM**

TITLE: Horiz Z-Bracket, 12"X 7 Runs, 1/2" Hole

SIZE <b>B</b>	DWG. NO. T9451MT12	REV
SCALE: 1:2	WEIGHT: 2.43	SHEET 1 OF 1