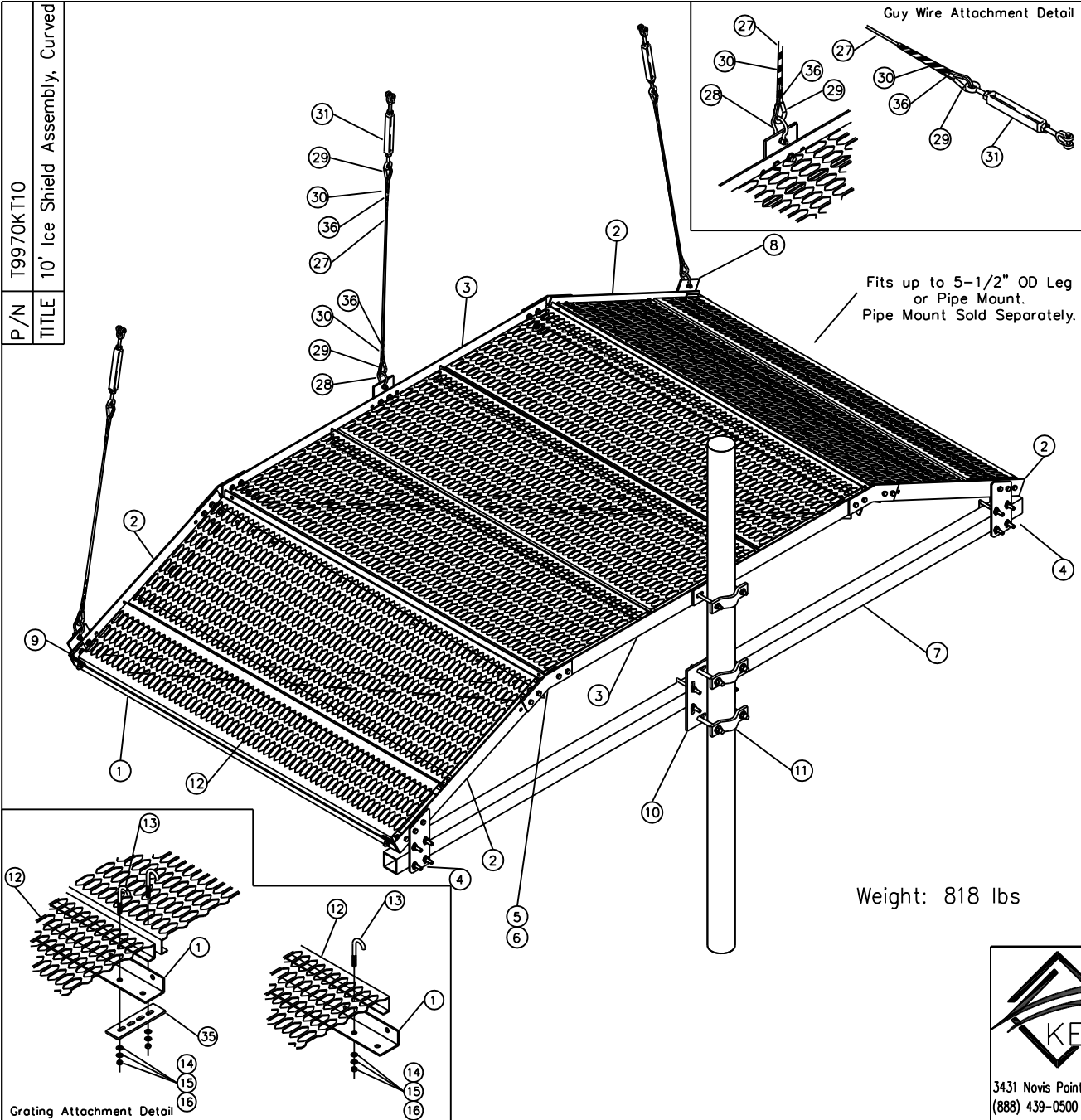


P/N T9970KT10
 TITLE 10' Ice Shield Assembly, Curved



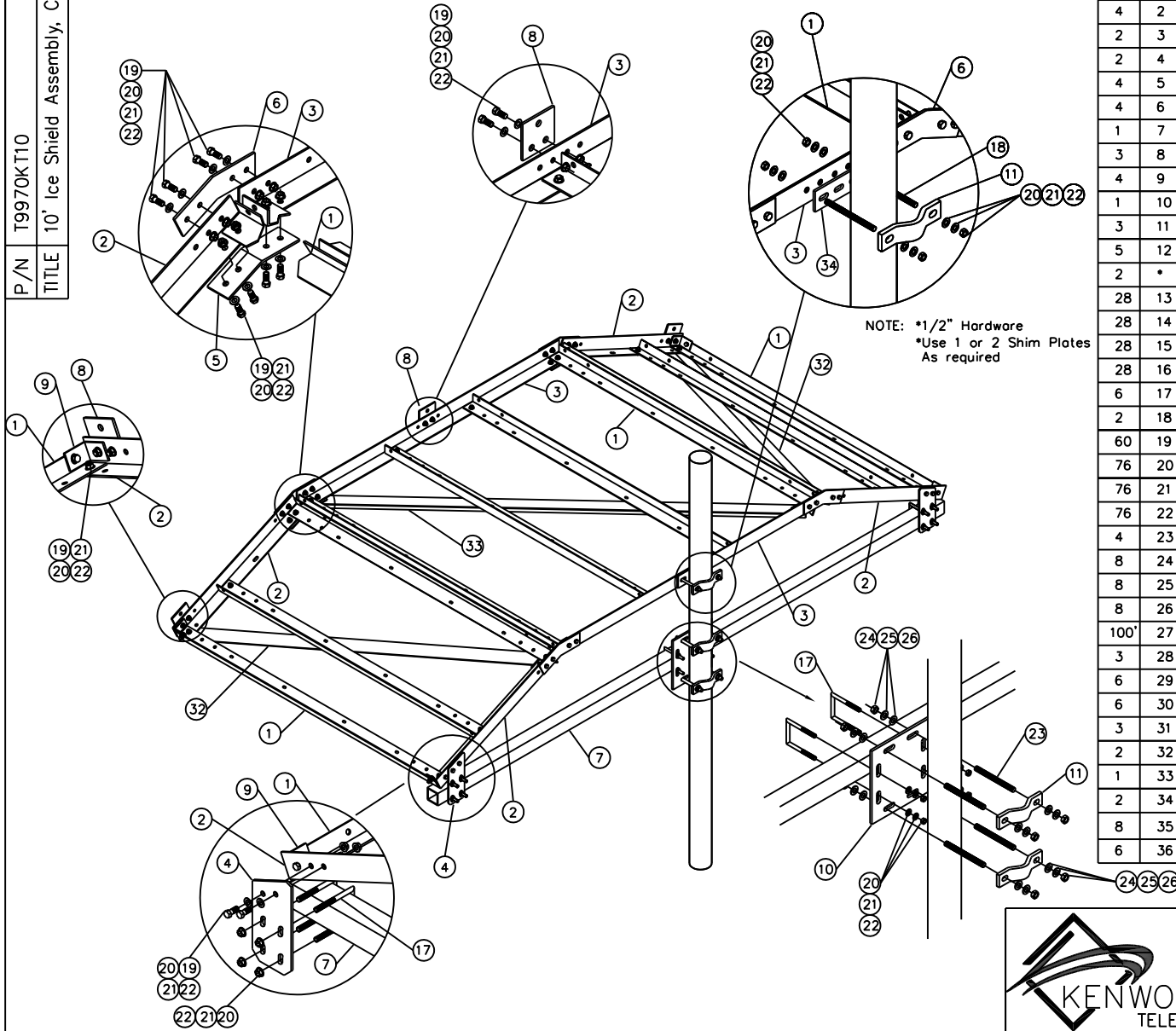
Weight: 818 lbs

QTY	ITEM	PART NUMBER	DESCRIPTION
10	1	K9970KT-15	Angle, Gripstrut, 74" Long
4	2	K9970KT-60	Angle, Incline, 37.5" Long
2	3	K9970KT-72	Angle, Horizontal, 74.5" Long
2	4	K9970KT-90	Plate, Tube Mount, 7 x 14" Plate
4	5	K9970KT-91	Plate, Bottom Angle Connector, 1/4" Plate
4	6	K9970KT-92	Plate, Side Angle Connector, 1/4" Plate
1	7	P1460KT12	Sq Tube, 144" Long
3	8	K9970KT-94	Plate-Guy Wire, 4.5" Plate
4	9	K9970KT-95	Corner Clip Angle, 3 x 3
1	10	K1710KT	Cross Pipe Plate
3	11	K1000KT8-534	Half Clamp, Medium
5	12	K3900KT72i	Grating, 24" x 2" x 72" Long
2	*	K3902KT72i	Grating, 12" x 2" x 72" Long
28	13	H7826KT4	J-BOLT-3/8"
28	14	H2002KT38G	3/8" HEX NUT
28	15	H3002KT38G	3/8" LOCK WASHER
28	16	H3012KT38G	3/8" FLAT WASHER
6	17	H7940KT16SQ	1/2" Sq U-Bolt for 4" Sq Tube, Grade 5
2	18	K2120KT9i	Threaded Rod, 1/2" x 8", HDG
60	19	H1026KT112GA3	Bolt, 1/2" x 1-1/2" (A325) HH HDG
76	20	H2002KT12GA3	Nut, Hex, 1/2" HDG
76	21	H3012KT12GSAE	Flat Washer, 1/2" HDG
76	22	H3002KT12G	Lock Washer, 1/2" HDG
4	23	K2220KT8i	Threaded Rod, 5/8" x 8", HDG
8	24	H2002KT58G	Nut, Hex, 5/8" HDG
8	25	H3012KT58GSA3	Flat Washer, 5/8" HDG
8	26	H3002KT58G	Lock Washer, 5/8" HDG
100'	27	T9003MF3	Guy Wire
3	28	T9012KT38	Shackle
6	29	T9003KT516	Thimble
6	30	T9013KT1/4	1/4" Dead End Grip for EHS Guy
3	31	T9000KT12-JE12	Jaw/Eye Turnbuckle
2	32	K9970KT-62	Angle, Incline Brace, 80.41" Long
1	33	K9970KT-53	Angle, Horizontal Brace, 99.02" Long
2	34	K4000KT	Shim Plate
8	35	K9921KT	Plate, Round Member Attachment
6	36	T9004KT14	End Sleeve for 1/4" Cable 1/pk

3431 Novis Point Acworth, GA 30101
 (888) 439-0500 (770) 974-5100 fax

DRAWN KAA	DATE 1/11/10	CHECKED	DATE -
TITLE 10' Ice Shield Assembly Curved Design			
DRAWING NO T9970KT10		REV	SHEET 1 OF 3

P/N T9970KT10
 TITLE 10' Ice Shield Assembly, Curved



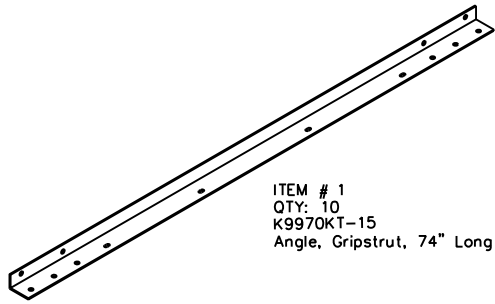
QTY	ITEM	PART NUMBER	DESCRIPTION
10	1	K9970KT-15	Angle, Gripstrut, 74" Long
4	2	K9970KT-60	Angle, Incline, 37.5" Long
2	3	K9970KT-72	Angle, Horizontal, 74.5" Long
2	4	K9970KT-90	Plate, Tube Mount, 7 x 14" Plate
4	5	K9970KT-91	Plate, Bottom Angle Connector, 1/4" Plate
4	6	K9970KT-92	Plate, Side Angle Connector, 1/4" Plate
1	7	P1460KT12	Sq Tube, 144" Long
3	8	K9970KT-94	Plate-Guy Wire, 4.5" Plate
4	9	K9970KT-95	Corner Clip Angle, 3 x 3
1	10	K1710KT	Cross Pipe Plate
3	11	K1000KT8-534	Half Clamp, Medium
5	12	K3900KT72i	Grating, 24" x 2" x 72" Long
2	*	K3902KT72i	Grating, 12" x 2" x 72" Long
28	13	H7826KT4	J-BOLT-3/8"
28	14	H2002KT38G	3/8" HEX NUT
28	15	H3002KT38G	3/8" LOCK WASHER
28	16	H3012KT38G	3/8" FLAT WASHER
6	17	H7940KT16SQ	1/2" Sq U-Bolt for 4" Sq Tube, Grade 5
2	18	K2120KT9i	Threaded Rod, 1/2" x 8", HDG
60	19	H1026KT112GA3	Bolt, 1/2" x 1-1/2" (A325) HH HDG
76	20	H2002KT12GA3	Nut, Hex, 1/2" HDG
76	21	H3012KT12GSAE	Flat Washer, 1/2" HDG
76	22	H3002KT12G	Lock Washer, 1/2" HDG
4	23	K2220KT8i	Threaded Rod, 5/8" x 8", HDG
8	24	H2002KT58G	Nut, Hex, 5/8" HDG
8	25	H3012KT58GSA3	Flat Washer, 5/8" HDG
8	26	H3002KT58G	Lock Washer, 5/8" HDG
100'	27	T9003MF3	Guy Wire
3	28	T9012KT38	Shackle
6	29	T9003KT516	Thimble
6	30	T9013KT1/4	1/4" Dead End Grip for EHS Guy
3	31	T9000KT12-JE12	Jaw/Eye Turnbuckle
2	32	K9970KT-62	Angle, Incline Brace, 80.41" Long
1	33	K9970KT-53	Angle, Horizontal Brace, 99.02" Long
2	34	K4000KT	Shim Plate
8	35	K9921KT	Plate, Round Member Attachment
6	36	T9004KT14	End Sleeve for 1/4" Cable 1/pk



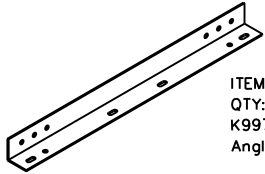
3431 Novis Point Acworth, GA 30101
 (888) 439-0500 (770) 974-5100 fax

DRAWN KAA	DATE 1/11/10	CHECKED	DATE -
TITLE 10' Ice Shield Assembly Curved Design			
DRAWING NO T9970KT10		REV	SHEET 2 OF 3

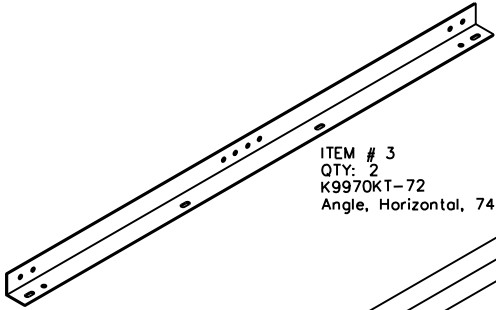
P/N T9970KT10
TITLE 10' Ice Shield Assembly, Curved



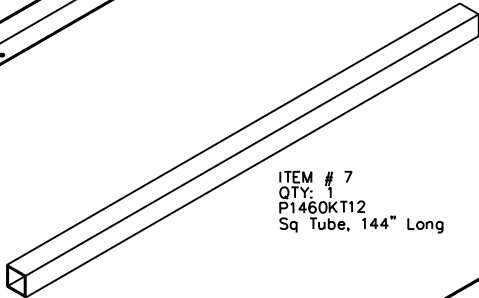
ITEM # 1
QTY: 10
K9970KT-15
Angle, Gripstrut, 74" Long



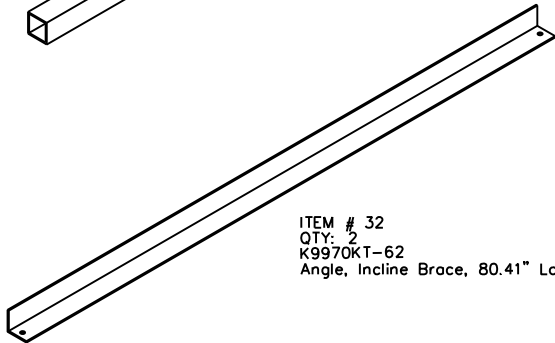
ITEM # 2
QTY: 4
K9970KT-60
Angle, Incline, 37.5" Long



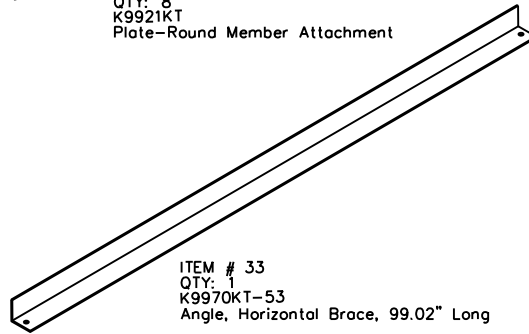
ITEM # 3
QTY: 2
K9970KT-72
Angle, Horizontal, 74.5" Long



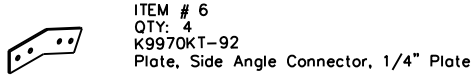
ITEM # 7
QTY: 1
P1460KT12
Sq Tube, 144" Long



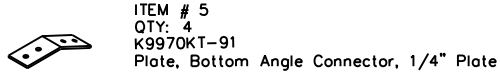
ITEM # 32
QTY: 2
K9970KT-62
Angle, Incline Brace, 80.41" Long



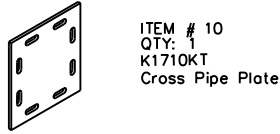
ITEM # 33
QTY: 1
K9970KT-53
Angle, Horizontal Brace, 99.02" Long



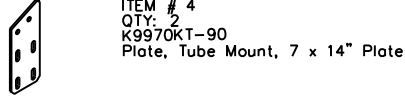
ITEM # 6
QTY: 4
K9970KT-92
Plate, Side Angle Connector, 1/4" Plate



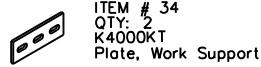
ITEM # 5
QTY: 4
K9970KT-91
Plate, Bottom Angle Connector, 1/4" Plate



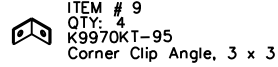
ITEM # 10
QTY: 1
K1710KT
Cross Pipe Plate



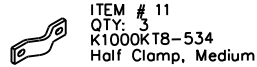
ITEM # 4
QTY: 2
K9970KT-90
Plate, Tube Mount, 7 x 14" Plate



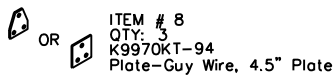
ITEM # 34
QTY: 2
K4000KT
Plate, Work Support



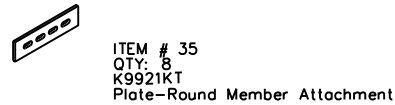
ITEM # 9
QTY: 4
K9970KT-95
Corner Clip Angle, 3 x 3



ITEM # 11
QTY: 5
K1000KT8-534
Half Clamp, Medium



ITEM # 8
QTY: 3
K9970KT-94
Plate-Guy Wire, 4.5" Plate



ITEM # 35
QTY: 8
K9921KT
Plate-Round Member Attachment

QTY	ITEM	PART NUMBER	DESCRIPTION
10	1	K9970KT-15	Angle, Gripstrut, 74" Long
4	2	K9970KT-60	Angle, Incline, 37.5" Long
2	3	K9970KT-72	Angle, Horizontal, 74.5" Long
2	4	K9970KT-90	Plate, Tube Mount, 7 x 14" Plate
4	5	K9970KT-91	Plate, Bottom Angle Connector, 1/4" Plate
4	6	K9970KT-92	Plate, Side Angle Connector, 1/4" Plate
1	7	P1460KT12	Sq Tube, 144" Long
3	8	K9970KT-94	Plate-Guy Wire, 4.5" Plate
4	9	K9970KT-95	Corner Clip Angle, 3 x 3
1	10	K1710KT	Cross Pipe Plate
3	11	K1000KT8-534	Half Clamp, Medium
5	12	K3900KT72i	Grating, 24" x 2" x 72" Long
2	*	K3902KT72i	Grating, 12" x 2" x 72" Long
28	13	H7826KT4	J-BOLT-3/8"
28	14	H2002KT38G	3/8" HEX NUT
28	15	H3002KT38G	3/8" LOCK WASHER
28	16	H3012KT38G	3/8" FLAT WASHER
6	17	H7940KT16SQ	1/2" Sq U-Bolt for 4" Sq Tube, Grade 5
2	18	K2120KT9i	Threaded Rod, 1/2" x 8", HDG
60	19	H1026KT112GA3	Bolt, 1/2" x 1-1/2" (A325) HH HDG
76	20	H2002KT12GA3	Nut, Hex, 1/2" HDG
76	21	H3012KT12GSAE	Flat Washer, 1/2" HDG
76	22	H3002KT12G	Lock Washer, 1/2" HDG
4	23	K2220KT8i	Threaded Rod, 5/8" x 8", HDG
8	24	H2002KT58G	Nut, Hex, 5/8" HDG
8	25	H3012KT58GSA3	Flat Washer, 5/8" HDG
8	26	H3002KT58G	Lock Washer, 5/8" HDG
100'	27	T9003MF3	Guy Wire
3	28	T9012KT38	Shackle
6	29	T9003KT516	Thimble
6	30	T9013KT1/4	1/4" Dead End Grip for EHS Guy
3	31	T9000KT12-JE12	Jaw/Eye Turnbuckle
2	32	K9970KT-62	Angle, Incline Brace, 80.41" Long
1	33	K9970KT-53	Angle, Horizontal Brace, 99.02" Long
2	34	K4000KT	Shim Plate
8	35	K9921KT	Plate, Round Member Attachment
6	36	T9004KT14	End Sleeve for 1/4" Cable 1/pk

3431 Novis Point Acworth, GA 30101
(888) 439-0500 (770) 974-5100 fax

DRAWN KAA	DATE 1/11/10	CHECKED	DATE -
TITLE 10' Ice Shield Assembly Curved Design			
DRAWING NO T9970KT10			REV SHEET 3 OF 3