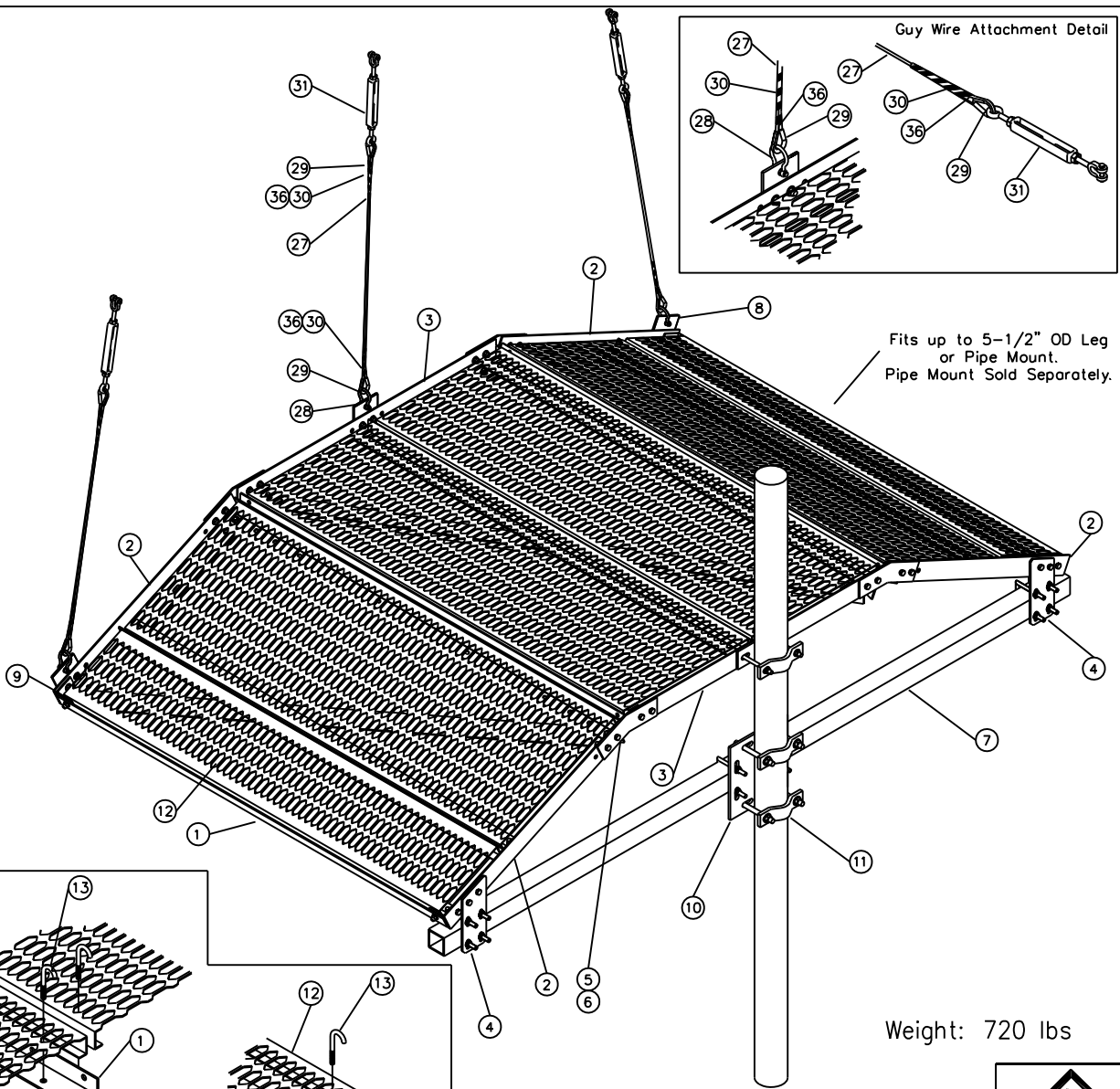
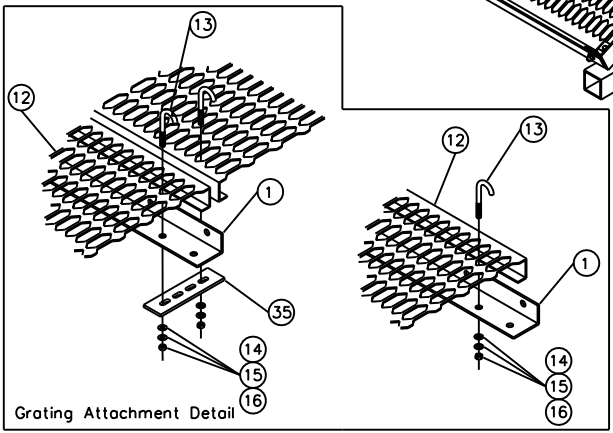


P/N T9970KT8  
TITLE 8' Ice Shield Assembly, Curved



Weight: 720 lbs

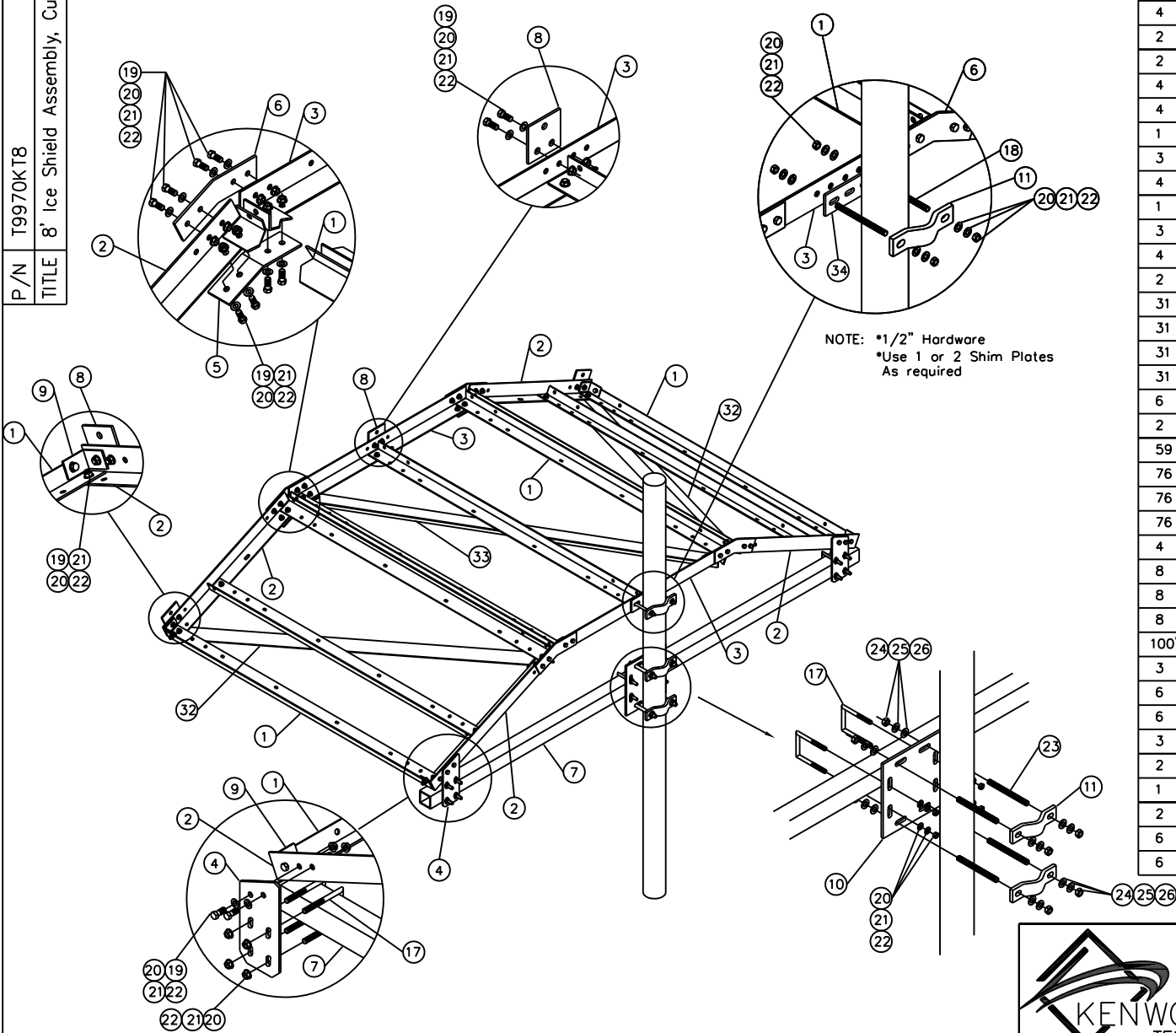
QTY	ITEM	PART NUMBER	DESCRIPTION
9	1	K9970KT-15	Angle, Gripstrut, 74" Long
4	2	K9970KT-60	Angle, Incline, 37.5" Long
2	3	K9970KT-71	Angle, Horizontal, 49.5" Long
2	4	K9970KT-90	Plate, Tube Mount, 7 x 14" Plate
4	5	K9970KT-91	Plate, Bottom Angle Connector, 1/4" Plate
4	6	K9970KT-92	Plate, Side Angle Connector, 1/4" Plate
1	7	P1450KT10	Sq Tube, 120" Long
3	8	K9970KT-94	Plate-Guy Wire, 4.5" Plate
4	9	K9970KT-95	Corner Clip Angle, 3 x 3
1	10	K1710KT	Cross Pipe Plate
3	11	K1000KT8-534	Half Clamp, Medium
4	12	T3900KT10	Grating, 24" x 2" x 72" Long
2	*	T3900KT12	Grating, 12" x 2" x 72" Long
31	13	H7826KT4	J-BOLT-3/8"
31	14	H2002KT38G	3/8" HEX NUT
31	15	H3002KT38G	3/8" LOCK WASHER
31	16	H3012KT38G	3/8" FLAT WASHER
6	17	H7940KT155Q	1/2" Sq U-Bolt for 3" Sq Tube, Grade 5
2	18	K2120KT9i	Threaded Rod, 1/2" x 9", HDG
59	19	H1026KT112GA3	Bolt, 1/2" x 1-1/2" (A325) HH HDG
76	20	H2002KT12GA3	Nut, Hex, 1/2" HDG
76	21	H3012KT12GSAE	Flat Washer, 1/2" HDG
76	22	H3002KT12G	Lock Washer, 1/2" HDG
4	23	K2220KT8i	Threaded Rod, 5/8" x 8", HDG
8	24	H2002KT58G	Nut, Hex, 5/8" HDG
8	25	H3012KT58GSA3	Flat Washer, 5/8" HDG
8	26	H3002KT58G	Lock Washer, 5/8" HDG
100'	27	T9988MF	Guy Wire
3	28	T9012KT38	Shackle
6	29	T9003KT516	Thimble
6	30	T9013KT1/4	1/4" Dead End Grip for EHS Guy
3	31	T9000KT12-JE12	Jaw/Eye Turnbuckle
2	32	K9970KT-62	Angle, Incline Brace, 80.41" Long
1	33	K9970KT-61	Angle, Horizontal Brace, 84.03" Long
2	34	K4000KT	Shim Plate
6	35	K9921KT	Plate, Round Member Attachment
6	36	T9004KT14	End Sleeve for 1/4" Cable 1/pk



3431 Novis Point Acworth, GA 30101  
(888) 439-0500 (770) 974-5100 fax

DRAWN KAA	DATE 1/11/10	CHECKED	DATE -
TITLE 8' Ice Shield Assembly Curved Design			
DRAWING NO T9970KT8	REV	SHEET 1 OF 3	

P/N T9970KT8  
 TITLE 8' Ice Shield Assembly, Curved



QTY	ITEM	PART NUMBER	DESCRIPTION
9	1	K9970KT-15	Angle, Gripstrut, 74" Long
4	2	K9970KT-60	Angle, Incline, 37.5" Long
2	3	K9970KT-71	Angle, Horizontal, 49.5" Long
2	4	K9970KT-90	Plate, Tube Mount, 7 x 14" Plate
4	5	K9970KT-91	Plate, Bottom Angle Connector, 1/4" Plate
4	6	K9970KT-92	Plate, Side Angle Connector, 1/4" Plate
1	7	P1450KT10	Sq Tube, 120" Long
3	8	K9970KT-94	Plate-Guy Wire, 4.5" Plate
4	9	K9970KT-95	Corner Clip Angle, 3 x 3
1	10	K1710KT	Cross Pipe Plate
3	11	K1000KT8-534	Half Clamp, Medium
4	12	T3900KT10	Grating, 24" x 2" x 72" Long
2	*	T3900KT12	Grating, 12" x 2" x 72" Long
31	13	H7826KT4	J-BOLT-3/8"
31	14	H2002KT38G	3/8" HEX NUT
31	15	H3002KT38G	3/8" LOCK WASHER
31	16	H3012KT38G	3/8" FLAT WASHER
6	17	H7940KT15SQ	1/2" Sq U-Bolt for 3" Sq Tube, Grade 5
2	18	K2120KT9i	Threaded Rod, 1/2" x 9", HDG
59	19	H1026KT112GA3	Bolt, 1/2" x 1-1/2" (A325) HH HDG
76	20	H2002KT12GA3	Nut, Hex, 1/2" HDG
76	21	H3012KT12GSAE	Flat Washer, 1/2" HDG
76	22	H3002KT12G	Lock Washer, 1/2" HDG
4	23	K2220KT8i	Threaded Rod, 5/8" x 8", HDG
8	24	H2002KT58G	Nut, Hex, 5/8" HDG
8	25	H3012KT58GSA3	Flat Washer, 5/8" HDG
8	26	H3002KT58G	Lock Washer, 5/8" HDG
100'	27	T9988MF	Guy Wire
3	28	T9012KT38	Shackle
6	29	T9003KT516	Thimble
6	30	T9013KT1/4	1/4" Dead End Grip for EHS Guy
3	31	T9000KT12-JE12	Jaw/Eye Turnbuckle
2	32	K9970KT-62	Angle, Incline Brace, 80.41" Long
1	33	K9970KT-61	Angle, Horizontal Brace, 84.03" Long
2	34	K4000KT	Shim Plate
6	35	K9921KT	Plate, Round Member Attachment
6	36	T9004KT14	End Sleeve for 1/4" Cable 1/pk

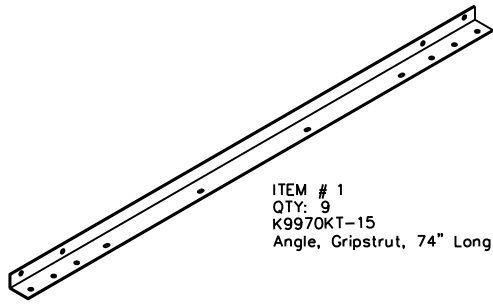
NOTE: \*1/2" Hardware  
 \*Use 1 or 2 Shim Plates  
 As required



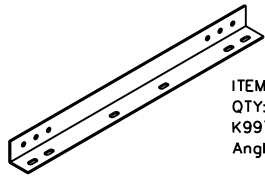
3431 Novis Point Acworth, GA 30101  
 (888) 439-0500 (770) 974-5100 fax

DRAWN KAA	DATE 1/11/10	CHECKED	DATE -
TITLE 8' Ice Shield Assembly Curved Design			
DRAWING NO T9970KT8	REV	SHEET 2 OF 3	

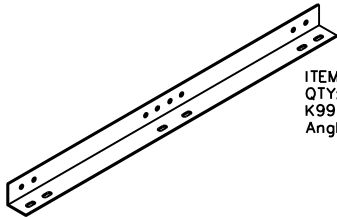
P/N T9970KT8  
TITLE 8' Ice Shield Assembly, Curved



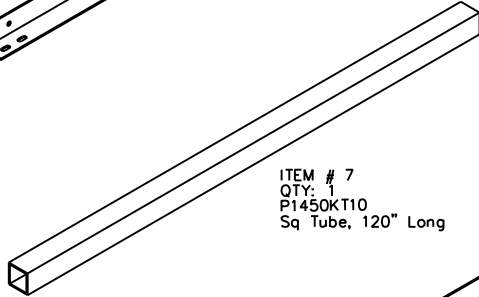
ITEM # 1  
QTY: 9  
K9970KT-15  
Angle, Gripstrut, 74" Long



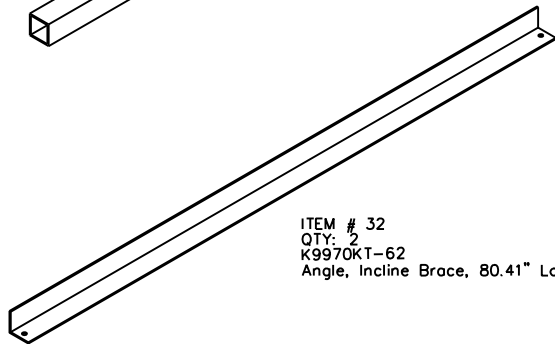
ITEM # 2  
QTY: 4  
K9970KT-60  
Angle, Incline, 37.5" Long



ITEM # 3  
QTY: 2  
K9970KT-71  
Angle, Horizontal, 49.5" Long



ITEM # 7  
QTY: 1  
P1450KT10  
Sq Tube, 120" Long



ITEM # 32  
QTY: 2  
K9970KT-62  
Angle, Incline Brace, 80.41" Long



ITEM # 6  
QTY: 4  
K9970KT-92  
Plate, Side Angle Connector, 1/4" Plate



ITEM # 5  
QTY: 4  
K9970KT-91  
Plate, Bottom Angle Connector, 1/4" Plate



ITEM # 10  
QTY: 1  
K1710KT  
Cross Pipe Plate



ITEM # 4  
QTY: 2  
K9970KT-90  
Plate, Tube Mount, 7 x 14" Plate



ITEM # 34  
QTY: 2  
K4000KT  
Shim Plate



ITEM # 9  
QTY: 4  
K9970KT-95  
Corner Clip Angle, 3 x 3



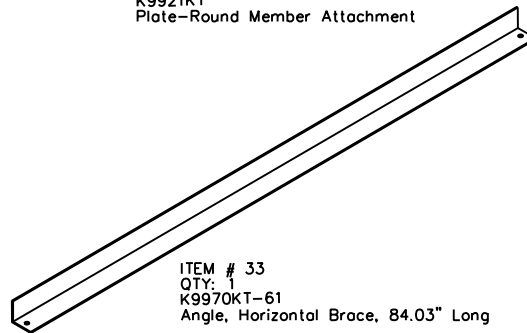
ITEM # 11  
QTY: 3  
K1000KT8-534  
Half Clamp, Medium



OR  
ITEM # 8  
QTY: 3  
K9970KT-94  
Plate-Guy Wire, 4.5" Plate

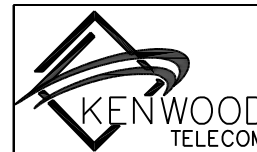


ITEM # 35  
QTY: 6  
K9921KT  
Plate-Round Member Attachment



ITEM # 33  
QTY: 1  
K9970KT-61  
Angle, Horizontal Brace, 84.03" Long

QTY	ITEM	PART NUMBER	DESCRIPTION
9	1	K9970KT-15	Angle, Gripstrut, 74" Long
4	2	K9970KT-60	Angle, Incline, 37.5" Long
2	3	K9970KT-71	Angle, Horizontal, 49.5" Long
2	4	K9970KT-90	Plate, Tube Mount, 7 x 14" Plate
4	5	K9970KT-91	Plate, Bottom Angle Connector, 1/4" Plate
4	6	K9970KT-92	Plate, Side Angle Connector, 1/4" Plate
1	7	P1450KT10	Sq Tube, 120" Long
3	8	K9970KT-94	Plate-Guy Wire, 4.5" Plate
4	9	K9970KT-95	Corner Clip Angle, 3 x 3
1	10	K1710KT	Cross Pipe Plate
3	11	K1000KT8-534	Half Clamp, Medium
4	12	T3900KT10	Grating, 24" x 2" x 72" Long
2	*	T3900KT12	Grating, 12" x 2" x 72" Long
31	13	H7826KT4	J-BOLT-3/8"
31	14	H2002KT38G	3/8" HEX NUT
31	15	H3002KT38G	3/8" LOCK WASHER
31	16	H3012KT38G	3/8" FLAT WASHER
6	17	H7940KT15SQ	1/2" Sq U-Bolt for 3" Sq Tube, Grade 5
2	18	K2120KT9i	Threaded Rod, 1/2" x 9", HDG
59	19	H1026KT112GA3	Bolt, 1/2" x 1-1/2" (A325) HH HDG
76	20	H2002KT12GA3	Nut, Hex, 1/2" HDG
76	21	H3012KT12GSAE	Flat Washer, 1/2" HDG
76	22	H3002KT12G	Lock Washer, 1/2" HDG
4	23	K2220KT8i	Threaded Rod, 5/8" x 8", HDG
8	24	H2002KT58G	Nut, Hex, 5/8" HDG
8	25	H3012KT58GSA3	Flat Washer, 5/8" HDG
8	26	H3002KT58G	Lock Washer, 5/8" HDG
100'	27	T9988MF	Guy Wire
3	28	T9012KT38	Shackle
6	29	T9003KT516	Thimble
6	30	T9013KT1/4	1/4" Dead End Grip for EHS Guy
3	31	T9000KT12-JE12	Jaw/Eye Turnbuckle
2	32	K9970KT-62	Angle, Incline Brace, 80.41" Long
1	33	K9970KT-61	Angle, Horizontal Brace, 84.03" Long
2	34	K4000KT	Shim Plate
6	35	K9921KT	Plate, Round Member Attachment
6	36	T9004KT14	End Sleeve for 1/4" Cable 1/pk



3431 Novis Point Acworth, GA 30101  
(888) 439-0500 (770) 974-5100 fax

DRAWN KAA	DATE 1/11/10	CHECKED	DATE -
TITLE 8' Ice Shield Assembly Curved Design			
DRAWING NO T9970KT8			REV SHEET OF 3