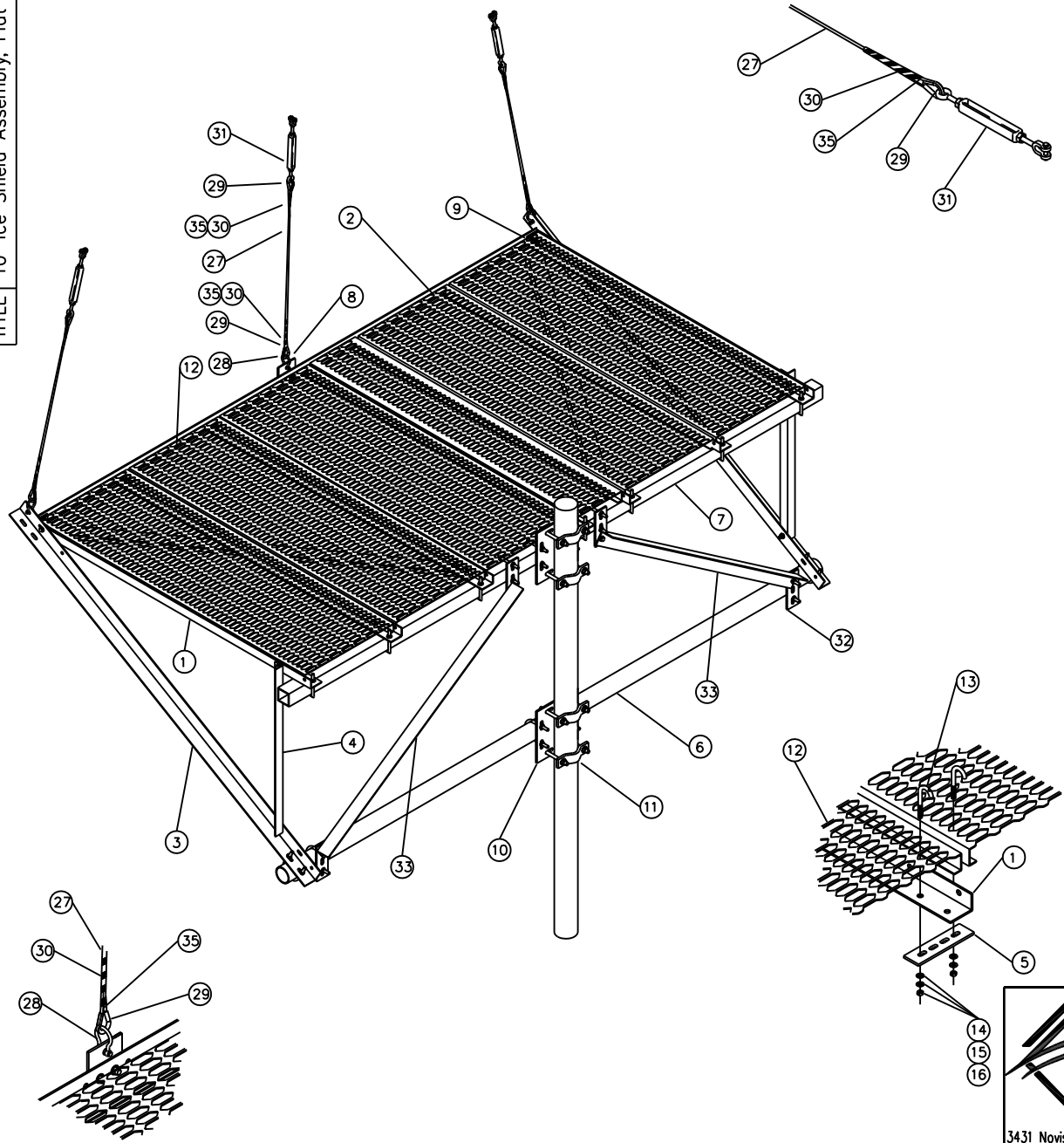


P/N T9971KT10
 TITLE 10' Ice Shield Assembly, Flat



QTY	ITEM	PART NUMBER	DESCRIPTION
7	1	K9970KT-15	Angle, Gripstrut, 74" Long
1	2	K9970KT-12	Angle, Front, 135" Long
2	3	K9970KT-11	Angle, Side Kicker, 92.5" Long
2	4	K9970KT-14	Angle, Side Kicker Strut, 39.0" Long
10	5	K9921KT	Plate, Round Member Attachment
1	6	P1200KT12	Pipe, 3.5"OD x 12' HDG
1	7	P1450KT12	Sq Tube, 144" Long
1	8	K9970KT-94	Plate-Guy Wire, 4.5" Plate
2	9	K9970KT-95	Corner Clip Angle, 3 x 3
2	10	K1710KT	Cross Pipe Plate
4	11	K1000KT8-534	Half Clamp, Medium
5	12	T3900KT12	Grating, 24" x 2" x 72" Long
1	*	T3902KT12L	Grating, 12" x 2" x 72" Long
30	13	H7826KT4	J-BOLT-3/8"
30	14	H2002KT38G	3/8" HEX NUT
30	15	H3002KT38G	3/8" LOCK WASHER
30	16	H3012KT38G	3/8" FLAT WASHER
13	17	H7940KT15SQ	1/2" Sq U-Bolt for 3" Sq Tube, Grade 5
6	18	H7942KT6	1/2" x 3.625" 6" U-Bolt, w/3" Thread
22	19	H1026KT112GA3	Bolt, 1/2" x 1-1/2" (A325) HH HDG
58	20	H2002KT12GA3	Nut, Hex, 1/2" HDG
58	21	H3012KT12GSAE	Flat Washer, 1/2" HDG
58	22	H3002KT12G	Lock Washer, 1/2" HDG
8	23	K2220KT8i	Threaded Rod, 5/8" x 8", HDG
16	24	H2002KT58G	Nut, Hex, 5/8" HDG
16	25	H3012KT58GSA3	Flat Washer, 5/8" HDG
16	26	H3002KT58G	Lock Washer, 5/8" HDG
100'	27	T9988MF	Guy Wire
3	28	T9012KT38	Shackle
6	29	T9003KT516	Thimble
6	30	T9003KT1/4	1/4" Dead End Grip for EHS Guy
3	31	T9000KT12-JE12	Jaw/Eye Turnbuckle
4	32	K4000KT	Plate for Work Support
2	33	K9970KT-17	Angle, Vertical Kicker, 64" Long
2	34	K9970KT-23	Angle, Horizontal Kicker, 80" Long
6	35	T9004KT14	End Sleeve for 1/4" Cable 1/pk

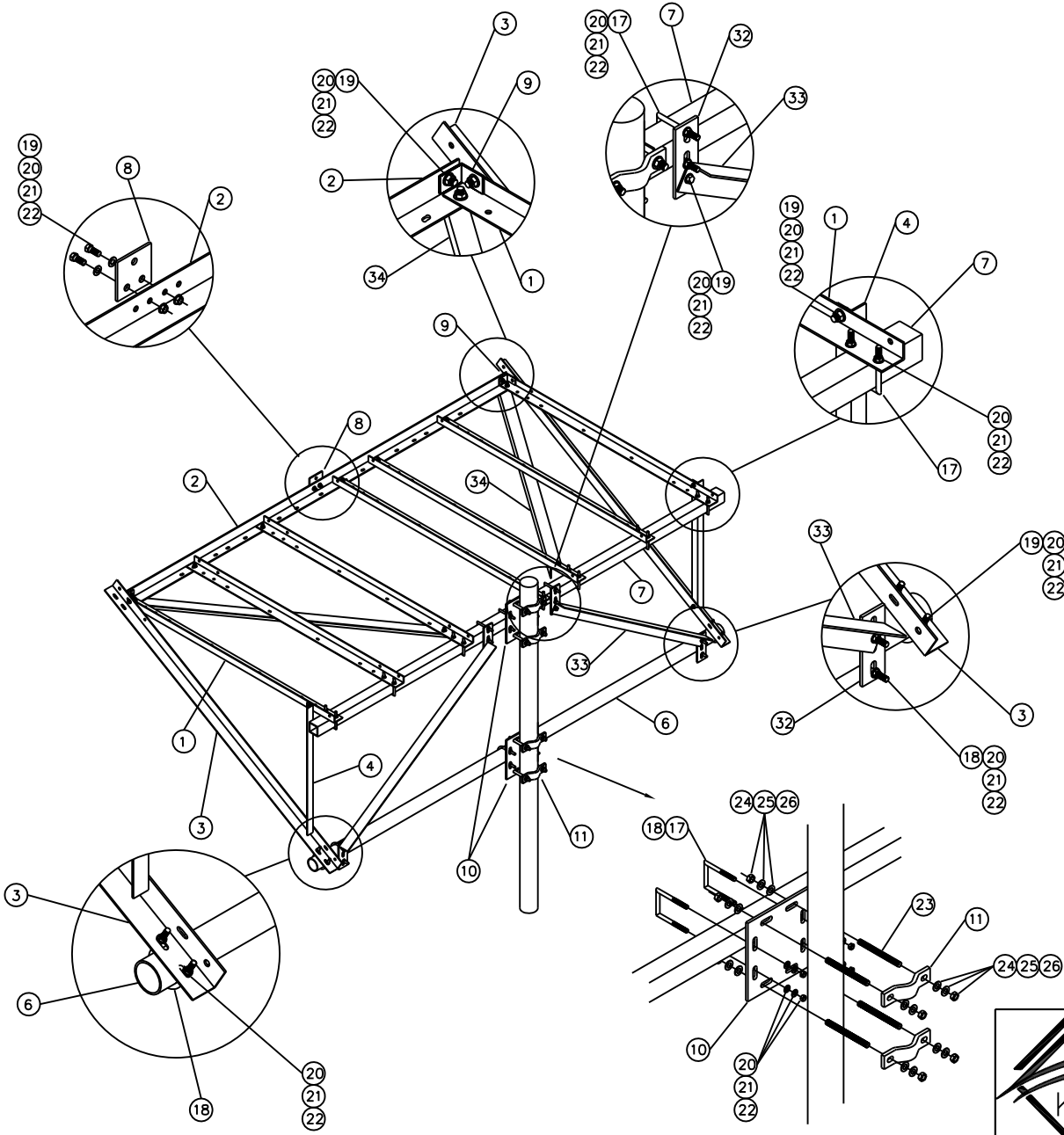
Weight: 862 lbs

3431 Novis Point Acworth, GA 30101
 (888) 439-0500 (770) 974-5100 fax

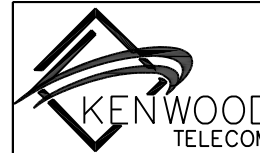
DRAWN KAA	DATE 1/11/10	CHECKED	DATE -
TITLE 10' Ice Shield Assembly Flat Design			
DRAWING NO T9971KT10	REV	SHEET 1 OF 3	

P/N T9971KT10

TITLE 10' Ice Shield Assembly, Flat



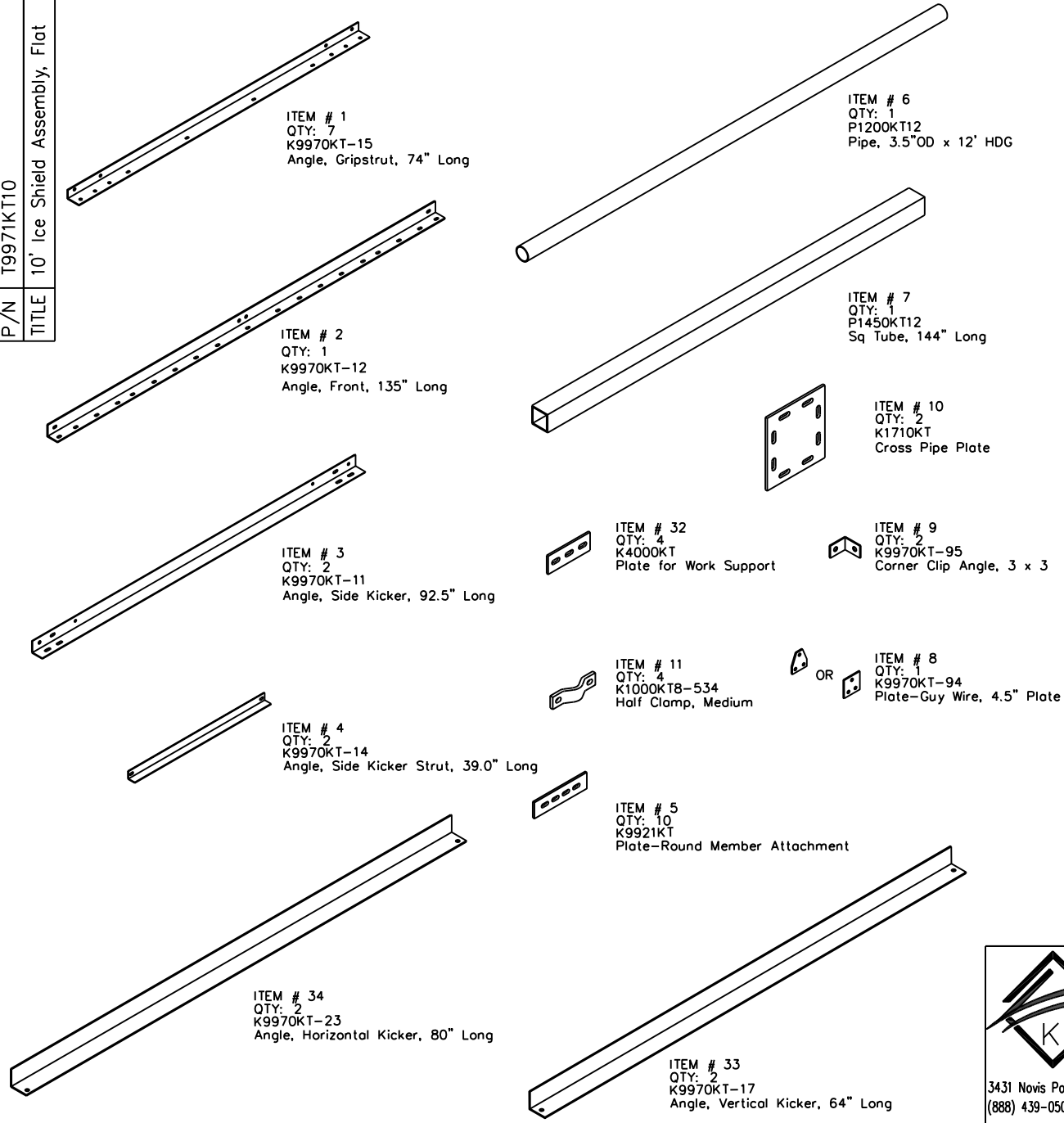
QTY	ITEM	PART NUMBER	DESCRIPTION
7	1	K9970KT-15	Angle, Gripstrut, 74" Long
1	2	K9970KT-12	Angle, Front, 135" Long
2	3	K9970KT-11	Angle, Side Kicker, 92.5" Long
2	4	K9970KT-14	Angle, Side Kicker Strut, 39.0" Long
10	5	K9921KT	Plate, Round Member Attachment
1	6	P1200KT12	Pipe, 3.5"OD x 12' HDG
1	7	P1450KT12	Sq Tube, 144" Long
1	8	K9970KT-94	Plate-Guy Wire, 4.5" Plate
2	9	K9970KT-95	Corner Clip Angle, 3 x 3
2	10	K1710KT	Cross Pipe Plate
4	11	K1000KT8-534	Half Clamp, Medium
5	12	T3900KT12	Grating, 24" x 2" x 72" Long
1	*	T3902KT12L	Grating, 12" x 2" x 72" Long
30	13	H7826KT4	J-BOLT-3/8"
30	14	H2002KT38G	3/8" HEX NUT
30	15	H3002KT38G	3/8" LOCK WASHER
30	16	H3012KT38G	3/8" FLAT WASHER
13	17	H7940KT15SQ	1/2" Sq U-Bolt for 3" Sq Tube, Grade 5
6	18	H7942KT6	1/2" x 3.625" 6" U-Bolt, w/3" Thread
22	19	H1026KT112GA3	Bolt, 1/2" x 1-1/2" (A325) HH HDG
58	20	H2002KT12GA3	Nut, Hex, 1/2" HDG
58	21	H3012KT12GSAE	Flat Washer, 1/2" HDG
58	22	H3002KT12G	Lock Washer, 1/2" HDG
8	23	K2220KT8i	Threaded Rod, 5/8" x 8", HDG
16	24	H2002KT58G	Nut, Hex, 5/8" HDG
16	25	H3012KT58GSA3	Flat Washer, 5/8" HDG
16	26	H3002KT58G	Lock Washer, 5/8" HDG
100'	27	T9988MF	Guy Wire
3	28	T9012KT38	Shackle
6	29	T9003KT516	Thimble
6	30	T9003KT1/4	1/4" Dead End Grip for EHS Guy
3	31	T9000KT12-JE12	Jaw/Eye Turnbuckle
4	32	K4000KT	Plate for Work Support
2	33	K9970KT-17	Angle, Vertical Kicker, 64" Long
2	34	K9970KT-23	Angle, Horizontal Kicker, 80" Long
6	35	T9004KT14	End Sleeve for 1/4" Cable 1/pk



3431 Novis Point Acworth, GA 30101
(888) 439-0500 (770) 974-5100 fax

DRAWN KAA	DATE 1/11/10	CHECKED	DATE -
TITLE 10' Ice Shield Assembly Flat Design			
DRAWING NO T9971KT10			REV SHEET OF 3

P/N T9971KT10
TITLE 10' Ice Shield Assembly, Flat



QTY	ITEM	PART NUMBER	DESCRIPTION
7	1	K9970KT-15	Angle, Gripstrut, 74" Long
1	2	K9970KT-12	Angle, Front, 135" Long
2	3	K9970KT-11	Angle, Side Kicker, 92.5" Long
2	4	K9970KT-14	Angle, Side Kicker Strut, 39.0" Long
10	5	K9921KT	Plate, Round Member Attachment
1	6	P1200KT12	Pipe, 3.5"OD x 12' HDG
1	7	P1450KT12	Sq Tube, 144" Long
1	8	K9970KT-94	Plate-Guy Wire, 4.5" Plate
2	9	K9970KT-95	Corner Clip Angle, 3 x 3
2	10	K1710KT	Cross Pipe Plate
4	11	K1000KT8-534	Half Clamp, Medium
5	12	T3900KT12	Grating, 24" x 2" x 72" Long
1	*	T3902KT12L	Grating, 12" x 2" x 72" Long
30	13	H7826KT4	J-BOLT-3/8"
30	14	H2002KT38G	3/8" HEX NUT
30	15	H3002KT38G	3/8" LOCK WASHER
30	16	H3012KT38G	3/8" FLAT WASHER
13	17	H7940KT15SQ	1/2" Sq U-Bolt for 3" Sq Tube, Grade 5
6	18	H7942KT6	1/2" x 3.625" 6" U-Bolt, w/3" Thread
22	19	H1026KT112GA3	Bolt, 1/2" x 1-1/2" (A325) HH HDG
58	20	H2002KT12GA3	Nut, Hex, 1/2" HDG
58	21	H3012KT12GSAE	Flat Washer, 1/2" HDG
58	22	H3002KT12G	Lock Washer, 1/2" HDG
8	23	K2220KT8i	Threaded Rod, 5/8" x 8", HDG
16	24	H2002KT58G	Nut, Hex, 5/8" HDG
16	25	H3012KT58GSA3	Flat Washer, 5/8" HDG
16	26	H3002KT58G	Lock Washer, 5/8" HDG
100'	27	T9988MF	Guy Wire
3	28	T9012KT38	Shackle
6	29	T9003KT516	Thimble
6	30	T9003KT1/4	1/4" Dead End Grip for EHS Guy
3	31	T9000KT12-JE12	Jaw/Eye Turnbuckle
4	32	K4000KT	Plate for Work Support
2	33	K9970KT-17	Angle, Vertical Kicker, 64" Long
2	34	K9970KT-23	Angle, Horizontal Kicker, 80" Long
6	35	T9004KT14	End Sleeve for 1/4" Cable 1/pk



3431 Novis Point Acworth, GA 30101
(888) 439-0500 (770) 974-5100 fax

DRAWN KAA	DATE 1/11/10	CHECKED	DATE -
TITLE 10' Ice Shield Assembly Flat Design			
DRAWING NO T9971KT10		REV	SHEET 3 OF 3