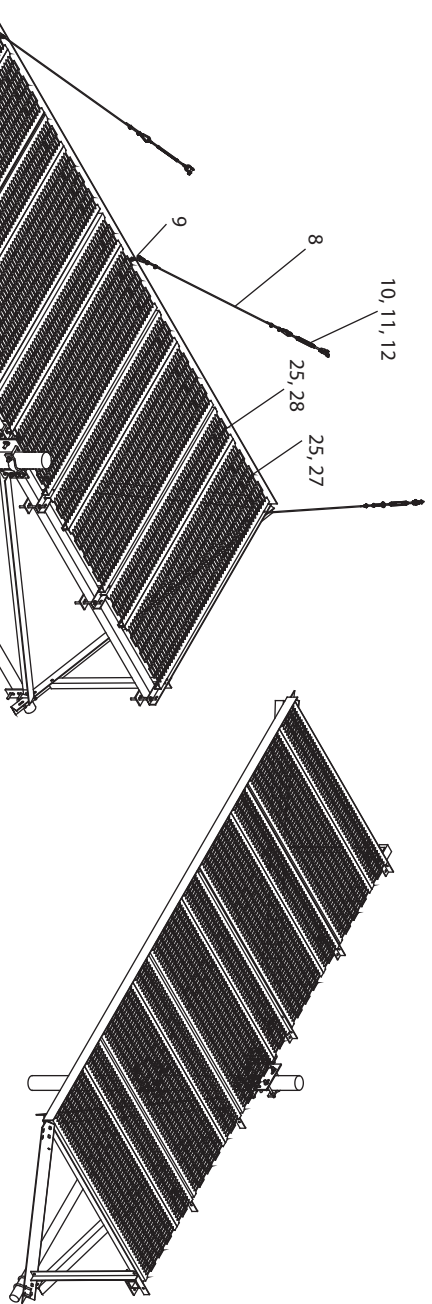
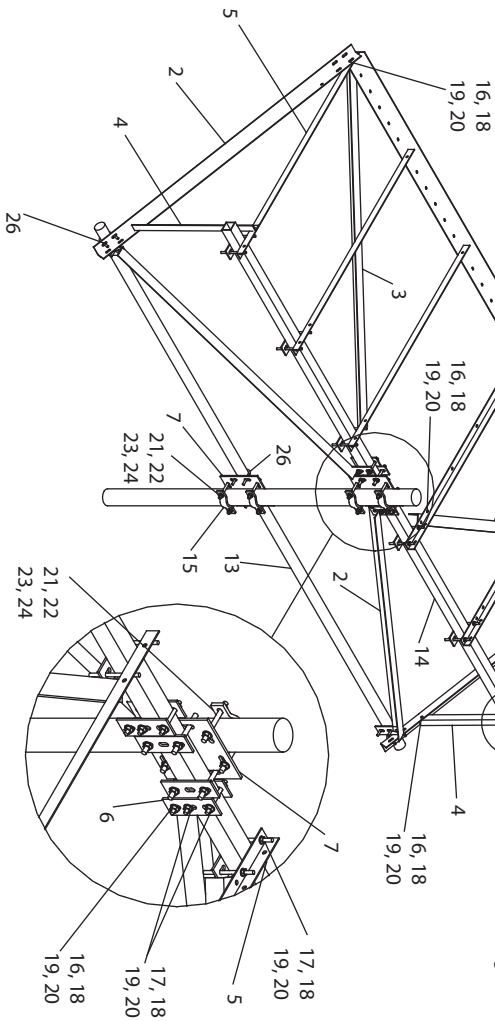


P/N	T9971KT12
TITLE	12' ICE SHIELD ASSEMBLY



QTY	ITEM	PART NUMBER	DESCRIPTION
1	1	K9970KT-10	Front Angle, 4"x4"x3/16" x 183" Long
4	2	K9970KT-11	Side/Vertical Kicker Angle, 3x3x 88.5"
2	3	K9970KT-13	Horizontal Kicker Angle, 3x3x3/16 x 90.5"
2	4	K9970KT-14	Side Kicker Strut Angle, 2x2x 39.0" Long
6	5	K9970KT-15	Angle, Gripstrut, 2x2x3/16x 68.5" Long
14	6	K4000KT	Work support T-ARM plate only
2	7	K1710KT	Cross pipe plate, 2.5" x 3.5" / 3.5" x 4.5"
1	8	T9988MF	3/8" Wire Rope, 100'
3	9	T9012MT38	3/8" Shackles
6	10	T9003KT12	5/16" Thimble
9	11	T9003MF3	1/4" Cable Clip
2	12	T9000KT12-JE12	3/8" x 6" Long Jaw/Eye Turnbuckle
1	13	P1200KT18	Pipe, 3.5" OD x 18" HDG
1	14	P1450KT16	Tube, square, 16"x3"x3" x 3/16" wall
4	15	K1000KT8-534	Clamp Half, 8", 11/16" hole, 5-3/4" spac
20	16	H1026KT112GA3	Bolt, 1/2"x1-1/2" (A325) HH HDG
4	17	K2120KT6I	Threaded rod 1/2" x 6", HDG
76	18	H2002KT12G	Nut, hex 1/2" HDG
76	19	H3012KT12G	Flat washer, 1/2", HDG
76	20	H3002KT12G	Lock washer, 1/2" HDG
8	21	K2220KT8I	Threaded rod 5/8" x 8", HDG
16	22	H2002KT58G	Nut, hex std. 5/8" HDG
16	23	H3012KT58G	Flat washer, 5/8", HDG
16	24	H3002KT58G	Lock washer, 5/8", HDG
50	25	H7826KT14	J-bolt, 3/8" x 4" L x 3" threads, HDG
6	26	H7942KT6	1/2" x 3.625" x 6" U-Bolt, w/ 3" threads
6	27	K3900KT72i	GRIPSTRUT, 2" x 24" x 72", 14 gauge
6	28	K3902KT72i	GRIPSTRUT, 2" x 12" x 72", 14 gauge



3431 Nones Point Acworth, GA 30101
 (888) 439-0500 (770) 974-5100 fax

DRAWN	DATE	CHECKED	DATE
KAA	4/12/09		
TITLE	12' ICE SHIELD ASSEMBLY		

DRAWING NO	REV	SHEET
T9971KT12		1 OF 1