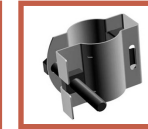


Steel and Mounts



Accessories



Grounding



Safety

Z2026KTL2SST

Stabilizer Kit, Long Standoff for Sector Frame/Stand-Off Arm Self-Supporting Tower

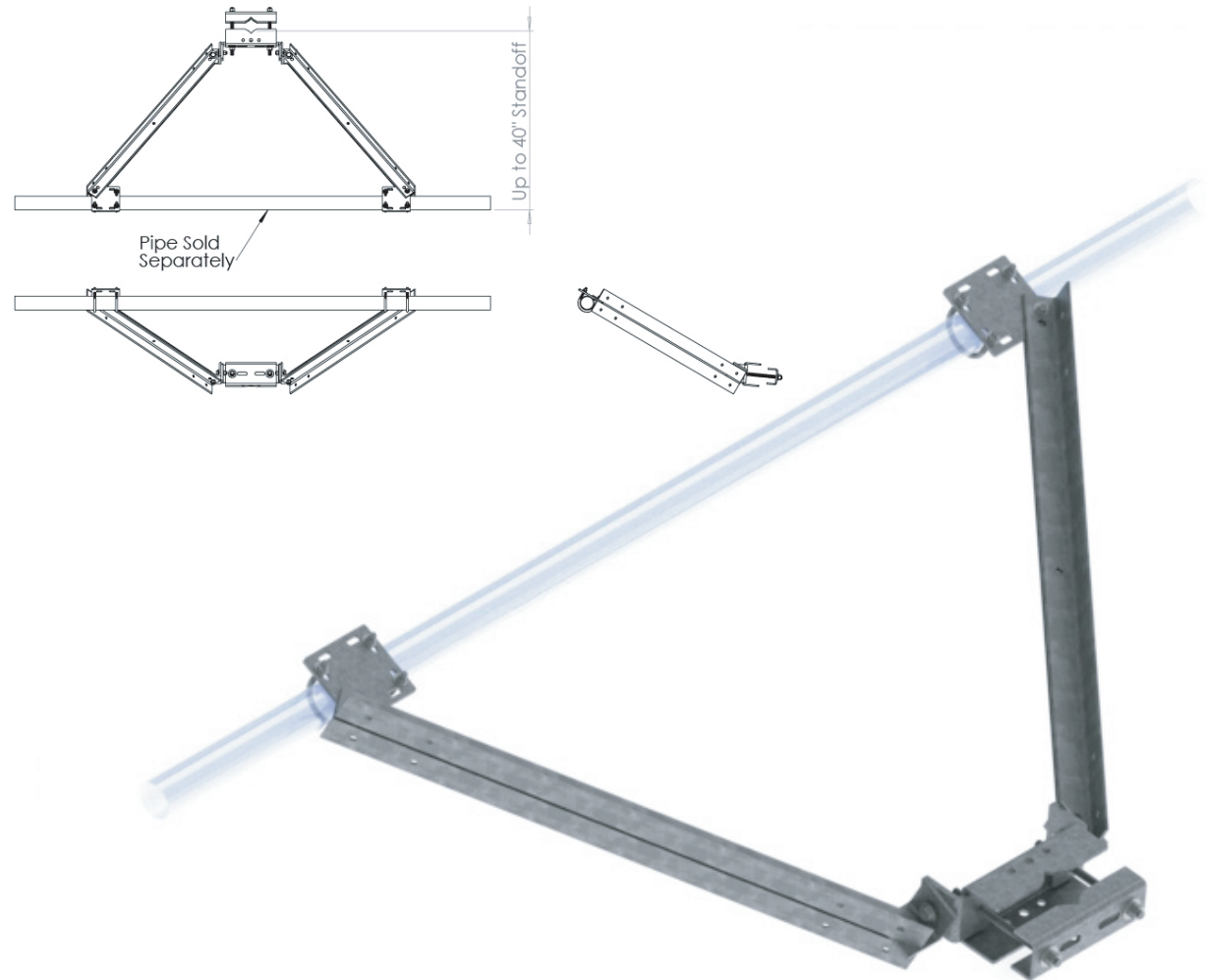
General Specifications

- Product Type -
- Tower Taper -
- Material Type -
- Mounting -
- Package Quantity -
- Weight -

Products Specifications

- Material: -
- Unit: -

Length	56.00 in		1422.37 mm
Width	12.00 in		304.79 mm
Height	12.00 in		304.79 mm
Aprox. Weight	107.00 lb		48.53 kg



REV
-